

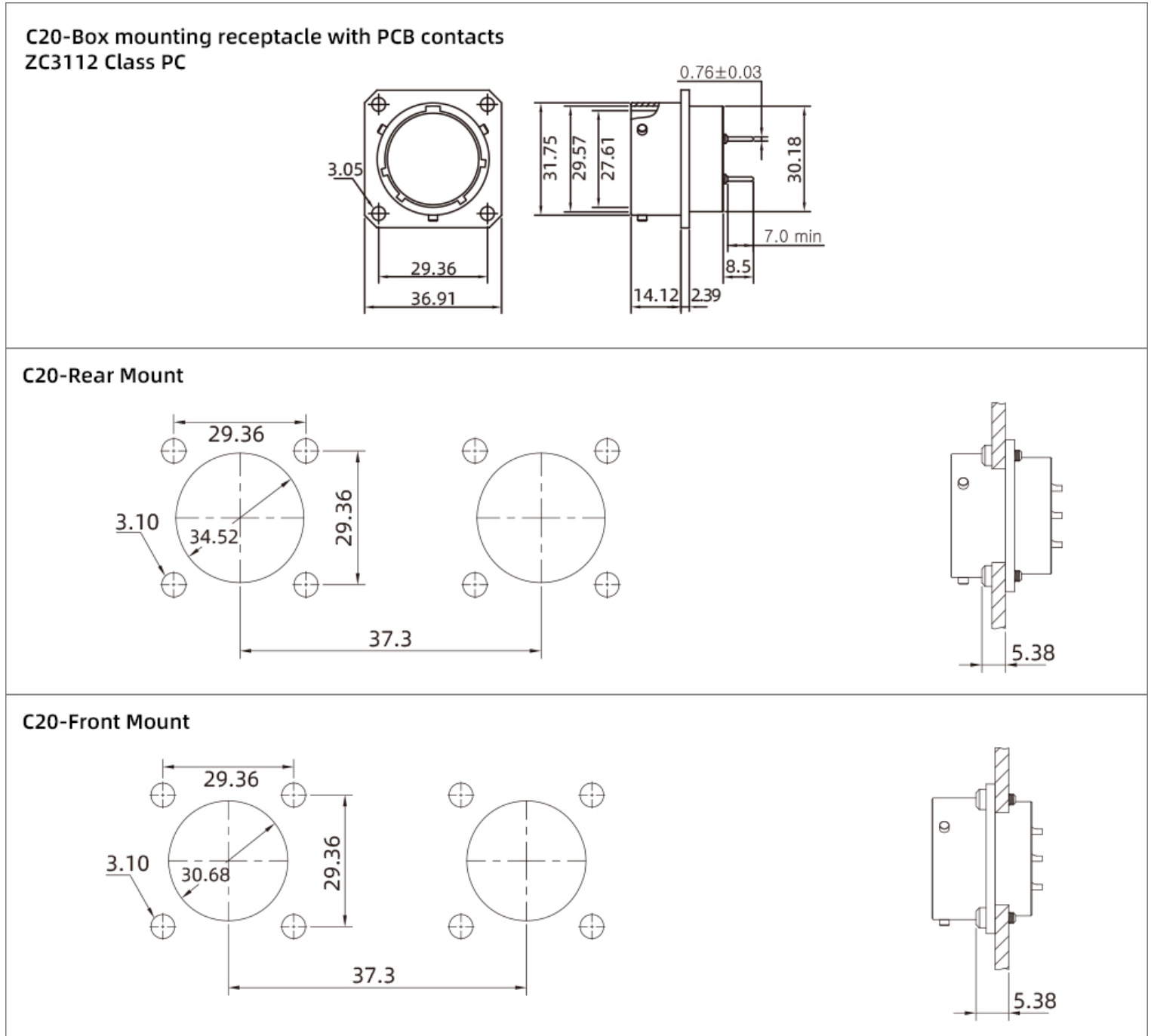


- American standard connector 26482 series, housing size 20
- Structure type: Box mounting receptacle with PCB contacts (ZC3112PC)
- Pin type: hole type/needle type,
- Wiring type: Welding type,
- Core count: 16 , 24 , 27 , 39 , 41 , 15 pins,
- Certification: CE RoHS,
- Standard: MIL-C-26482, VG95238

TECHNICAL PARAMETERS

Shell Material	Aluminum alloy
Shell Finish	Olive drab chromate coating over
Shell Alternative finish	Black over zinc plating(RoHs)
Insulator and grommets	Synthetic rubber
Contacts	Copper alloy
Contacts Finish	Gold plate
Ambient temperature	-55°C ~ +125°C
Mating cycles	≥ 500 Cycle
Water pressure	48 hours in 6 feet per MIL-DTL-26482 3.6.14
Humidity	20-day 50 to 90% humidity teating per MIL-DTL-26482 3.6.25
Salt spray	Unmated connectors and protective covers meet 48 hour exposure per EIA364.26 and MIL-DTL-26482 3.6.19
Vibration	10μs max at 10 to 2000Hz(15g) discontinuity per EIA364.28 and MIL-DTL-26482 3.6.21
Shock	50g' s/11ms duration.three major axes 10μs max discontinuity per EIA364.27 and MIL-DTL-26482 3.6.23

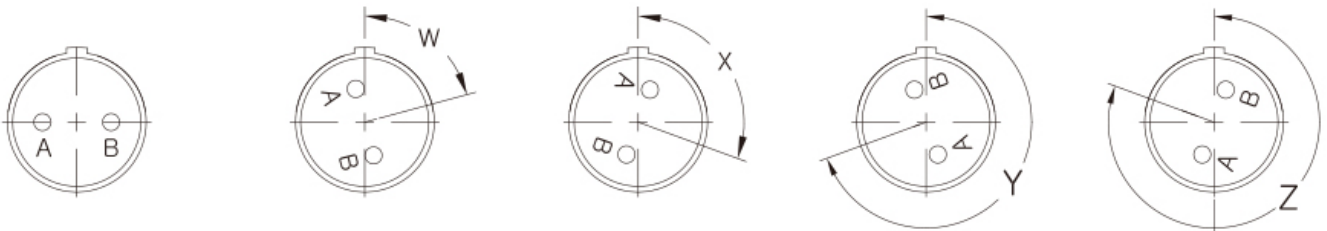
C20-DIMENSIONAL DRAWING



C20-ELECTRICAL PARAMETERS

型号 Insert No.	截面图 Cross section view	芯数 Pins	工作电压 Rated voltage		导体规格 Conductor size (AWG)	剥线长度 Strip length (mm)	承受力 Test force N(LB)	最大电流 Current Max.(A)
			A/C	D/C				
20-16		16	1000V	1275V	16	16	111.2(25)	22
20-24		24	600V	850V	20	20	66.7(15)	7.5
20-27		27	600V	850V	20	20	66.7(15)	7.5
20-29		29	600V	850V	37P:20 + 2P:16	37P:20 + 2P:16	37P:66.7(15) + 2P:111.2(25)	37P:7.5 + 2P:22
20-41		41	600V	850V	20	20	66.7(15)	7.5
20-90		3	600V	850V	3P:20 + 12P:12	3P:20 + 12P:12	3P:66.7(15) + 12P:111.2(25)	3P:7.5 + 12P:35

C20-KEYMAP CHART



型号 Insert No.	插针 Contacts				键位 Alemate pos.			
	数量 Tot	20	16	12	W	X	Y	Z
20-16	16		16		238	318	333	347
20-24	24	24			70	145	215	290
20-27	27	27			72	144	216	288
20-39	39	37	2		63	144	252	333
20-41	41	41			45	126	225	
20-90	15	3		12	18	60	240	270

Ordering products

Product Name	Connecter Type	Contact Type	Model Name	3D Download	2D Download
--------------	----------------	--------------	------------	----------------	----------------

Box mounting receptacle with PCB contacts	20-16	Pin contact	ZC3112PC20-16P		
Box mounting receptacle with PCB contacts	20-24	Pin contact	ZC3112PC20-24P		
Box mounting receptacle with PCB contacts	20-27	Pin contact	ZC3112PC20-27P		
Box mounting receptacle with PCB contacts	20-39	Pin contact	ZC3112PC20-39P		
Box mounting receptacle with PCB contacts	20-41	Pin contact	ZC3112PC20-41P		
Box mounting receptacle with PCB contacts	20-90	Pin contact	ZC3112PC20-90P		
Box mounting receptacle with PCB contacts	20-16	Socket contact	ZC3112PC20-16S		
Box mounting receptacle with PCB contacts	20-24	Socket contact	ZC3112PC20-24S		
Box mounting receptacle with PCB contacts	20-27	Socket contact	ZC3112PC20-27S		
Box mounting receptacle with PCB contacts	20-39	Socket contact	ZC3112PC20-39S		
Box mounting receptacle with PCB contacts	20-41	Socket contact	ZC3112PC20-41S		
Box mounting receptacle with PCB contacts	20-90	Socket contact	ZC3112PC20-90S		

Note: Please consult customer service.

Data Download

Related Album	CAZN正成-美标连接器-26482
Related Album	CAZN正成-振动传感器连接器手册
Related Album	CAZN-Connectors for Vibration Sensors-English version