

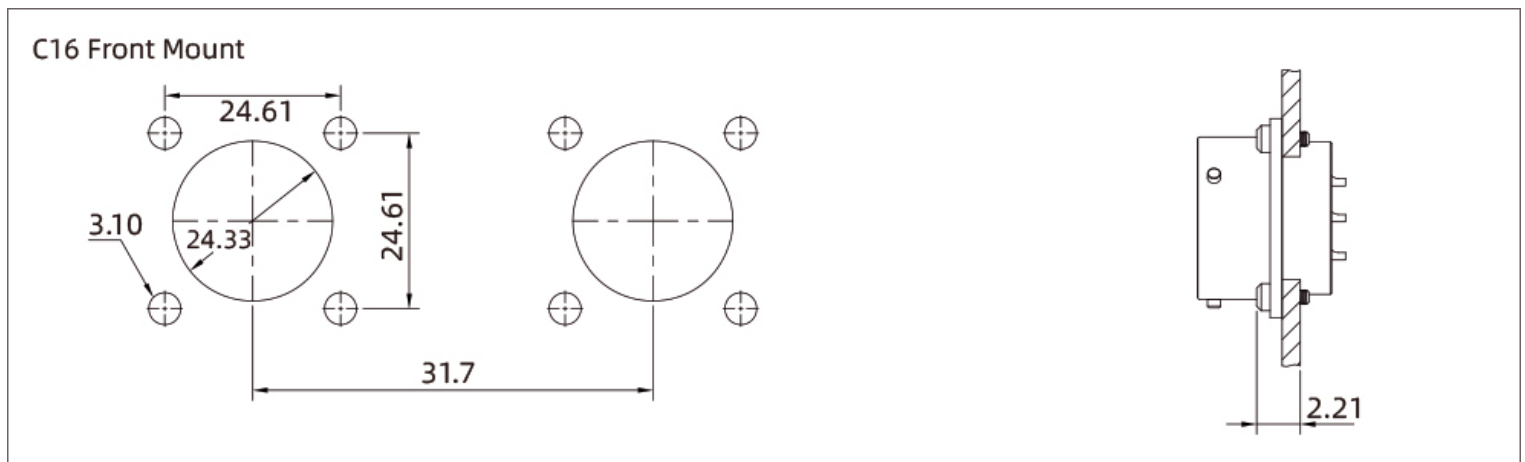
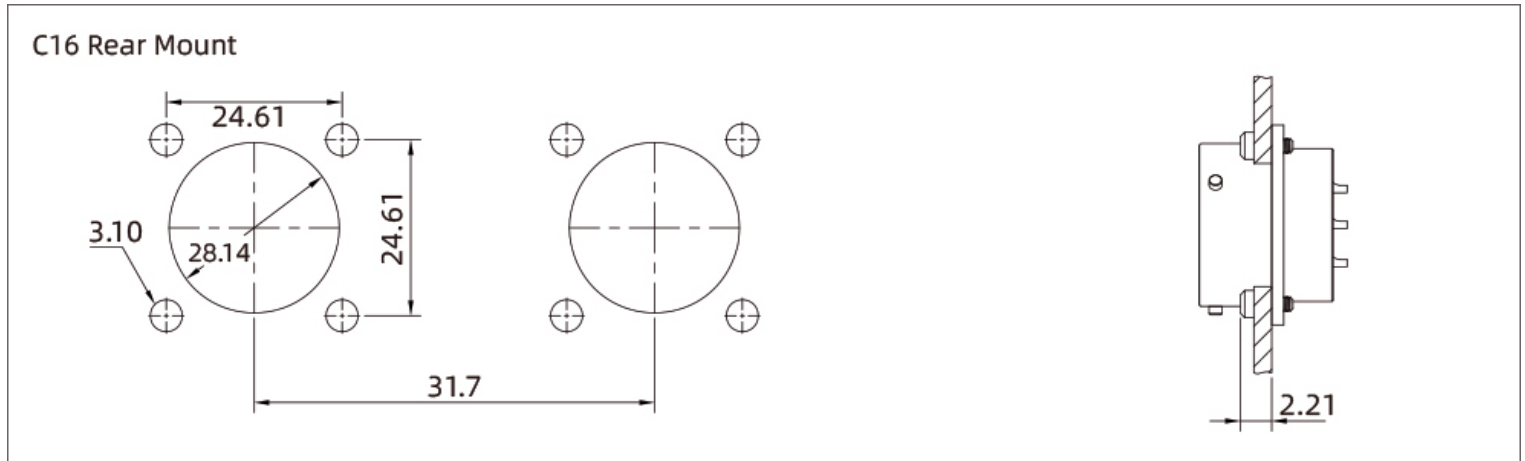
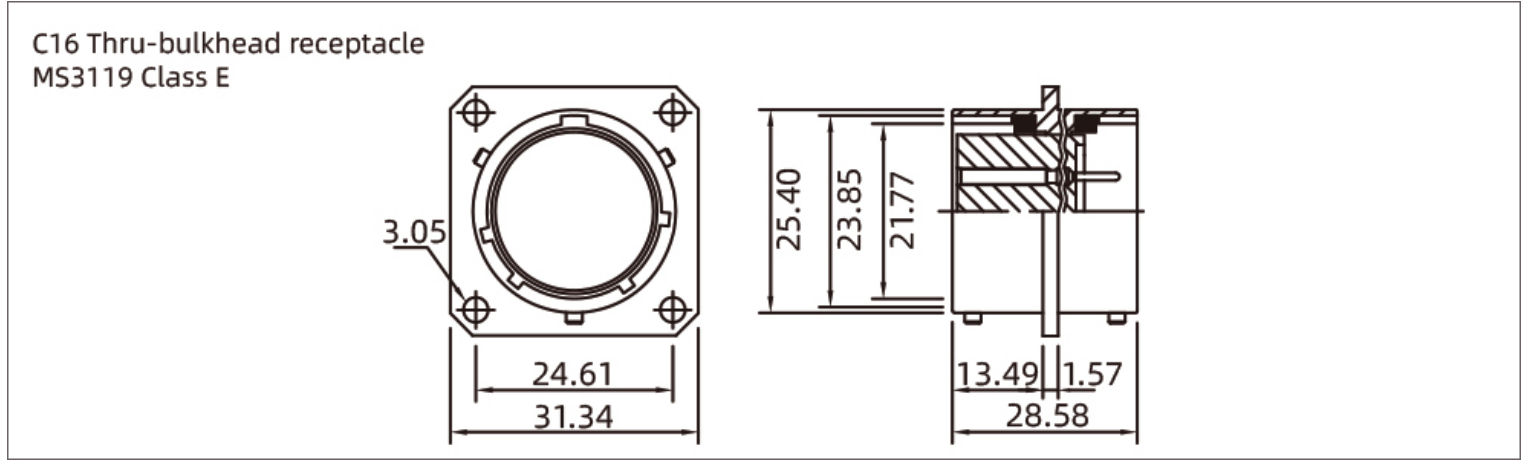


- American standard connector 26482 series, housing size 16
- Structure type: Thru-bulkhead receptacle (ZC3119E)
- Pin type: hole type/needle type,
- Wiring type: Welding type,
- Core count: 8 , 14 , 23 , 26 , 8 , 23 pins,
- Certification: CE RoHS,
- Standard: MIL-C-26482, VG95238

TECHNICAL PARAMETERS

| | |
|--------------------------|---|
| Shell Material | Aluminum alloy |
| Shell Finish | Olive drab chromate coating over |
| Shell Alternative finish | Black over zinc plating(RoHS) |
| Insulator and grommets | Synthetic rubber |
| Contacts | Copper alloy |
| Contacts Finish | Gold plate |
| Ambient temperature | -55°C ~ +125°C |
| Mating cycles | ≥ 500 Cycle |
| Water pressure | 48 hours in 6 feet per MIL-DTL-26482 3.6.14 |
| Humidity | 20-day 50 to 90% humidity teating per MIL-DTL-26482 3.6.25 |
| Salt spray | Unmated connectors and protective covers meet 48 hour exposure per EIA364.26 and MIL-DTL-26482 3.6.19 |
| Vibration | 10μs max at 10 to 2000Hz(15g) discontinuity per EIA364.28 and MIL-DTL-26482 3.6.21 |
| Shock | 50g' s/11ms duration.three major axes 10μs max discontinuity per EIA364.27 and MIL-DTL-26482 3.6.23 |

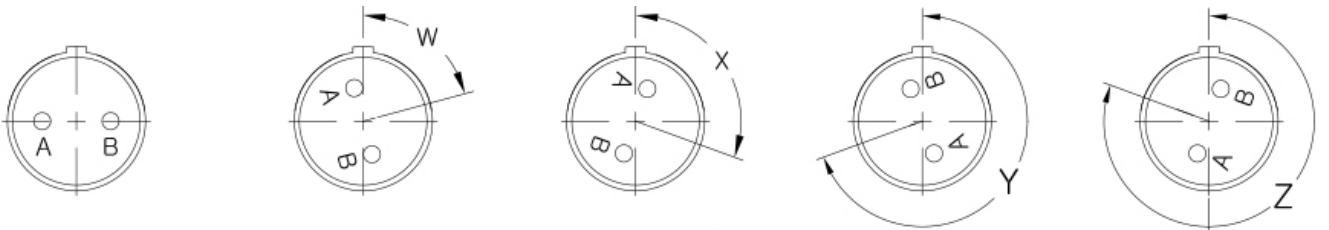
C16-DIMENSIONAL DRAWING



C16-ELECTRICAL PARAMETERS

| 型号 Insert No. | 截面图 Cross section view | 芯数 Pins | 工作电压 Rated voltage | | 导体规格 Conductor size (AWG) | 剥线长度 Strip length (mm) | 承受力 Test force N(LB) | 最大电流 Current Max.(A) |
|------------------|---------------------------|------------|-----------------------|-------|---------------------------------|------------------------------|-----------------------------------|-------------------------|
| | | | A/C | D/C | | | | |
| 16-8 | | 8 | 1000V | 1275V | 16-20 | 16-20 | 111.2(25) | 22 |
| 16-14 | | 14 | 1000V | 1275V | 8P:20-24 + 6P:12-14 | 8P:20-24 + 6P:12-14 | 8P:66.7(15) + 6P:111.2(25) | 8P:7.5 + 6P:35 |
| 16-23 | | 23 | 600V | 850V | 22P:20-24 + 1P:16-20 | 22P:20-24 + 1P:16-20 | 22P:66.7(15) + 1P:111.2(25) | 22P:7.5 + 1P:22 |
| 16-26 | | 26 | 600V | 850V | 20-24 | 20-24 | 66.7(15) | 7.5 |
| 16-95 | | 8 | 1000V | 1275V | 2P:8-10 + 6P:20-24 | 2P:8-10 + 6P:20-24 | 2P:178(40) + 6P:66.7(15) | 2P:- + 6P:7.5 |
| 16-99 | | 23 | 600V | 850V | 21P:20-24 + 2P:16-20 | 21P:20-24 + 2P:16-20 | 21P:66.7(15) + 2P:111.2(25) | 21P:7.5 + 2P:22 |

C16-KEYMAP CHART



| 型号 Insert No. | 插针 Contacts | | | | 键位 Alemate pos. | | | |
|------------------|----------------|----|----|----|--------------------|-----|-----|-----|
| | 数量 Tot | 20 | 16 | 12 | W | X | Y | Z |
| 16-8 | 8 | | 8 | | 54 | 152 | 180 | 331 |
| 16-14 | 14 | 8 | | 6 | 25 | 78 | 180 | 240 |
| 16-23 | 23 | 22 | 1 | | 158 | 270 | | |
| 16-26 | 26 | 26 | | | 60 | | 275 | 238 |
| 16-99 | 23 | 21 | 2 | | 66 | 156 | 223 | 340 |

Ordering products

| Product Name | Connecter Type | Contact Type | Model Name | 3D Download | 2D Download |
|--------------------------|----------------|--------------|---------------|-------------|-------------|
| Thru-bulkhead receptacle | 16-8 | Pin contact | ZC3119E16-8P | | |
| Thru-bulkhead receptacle | 16-14 | Pin contact | ZC3119E16-14P | | |

| | | | | | |
|--------------------------|-------|----------------|---------------|--|--|
| Thru-bulkhead receptacle | 16-23 | Pin contact | ZC3119E16-23P | | |
| Thru-bulkhead receptacle | 16-26 | Pin contact | ZC3119E16-26P | | |
| Thru-bulkhead receptacle | 16-95 | Pin contact | ZC3119E16-95P | | |
| Thru-bulkhead receptacle | 16-99 | Pin contact | ZC3119E16-99P | | |
| Thru-bulkhead receptacle | 16-8 | Socket contact | ZC3119E16-8S | | |
| Thru-bulkhead receptacle | 16-14 | Socket contact | ZC3119E16-14S | | |
| Thru-bulkhead receptacle | 16-23 | Socket contact | ZC3119E16-23S | | |
| Thru-bulkhead receptacle | 16-26 | Socket contact | ZC3119E16-26S | | |
| Thru-bulkhead receptacle | 16-95 | Socket contact | ZC3119E16-95S | | |
| Thru-bulkhead receptacle | 16-99 | Socket contact | ZC3119E16-99S | | |

Note: Please consult customer service.

Data Download

| | |
|---------------|---|
| Related Album | CAZN正成-美标连接器-26482 |
| Related Album | CAZN正成-振动传感器连接器手册 |
| Related Album | CAZN-Connectors for Vibration Sensors-English version |