

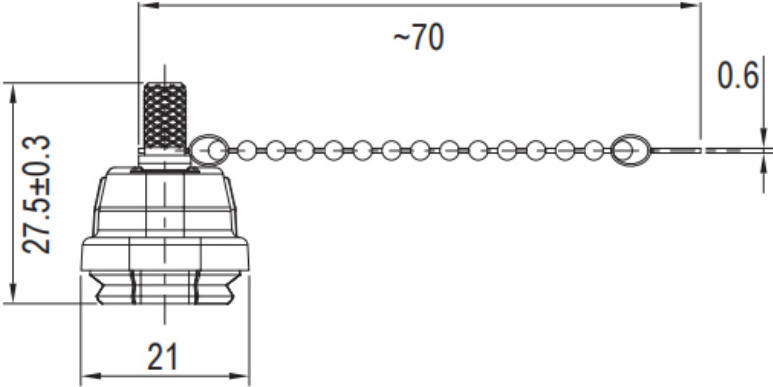
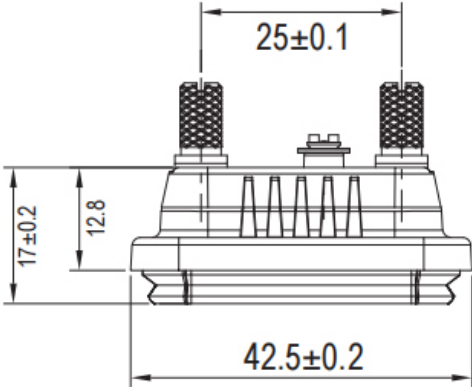


- Plastic Waterproof Connector EDB series,
- □ Type: Plastic dust cover for seat,
- Connecting strip material: Iron,
- Waterproof ring material: Silicone,
- Waterproof grade : IP67,
- Flame retardant grade : UL94-V0,
- Certification: CE/RoHS.

MECHANICAL PARAMETERS

Dust cover material :	PA66
Connect with material :	Irony
Waterproof ring material :	silica gel
Working temperature :	-40°C ~ 80°C
Waterproof grade :	IP67
Fire retardant grade :	UL94-V0

DIMENSIONS



ELECTRICAL PARAMETERS

芯数排列 PINS ARRANGEMENT				
芯位图 Pins Arrangement				
	9	15H	2W2	2W2C
芯数 Pins	小针:9 Small needle:9	小针:15 Small needle:15	大针:2 Large needle:2	大针:2, C型 Large needle:2, C-type
芯位图 Pins Arrangement				
	5W1			
芯数 Pins	大针:1 Large needle:1	小针:4 Small needle:4		

技术参数 TECHNICAL PARAMETERS					
针规 Pin Gage	小针 Small needle	大针 Large needle			
线规 Wire gauge	20 AWG	14 AWG	10 AWG	8 AWG	6 AWG
引脚类型 Pin type	φ1	φ1.7	φ2.8	φ3.2	φ4.6
额定电流 Rated current	5A	10A	20A	30A	40A

接线范围 Wiring range	8.1mm-14.0mm
防水等级 Waterproof grade	IP65/IP67
插拔次数 Durability	500
适应温度 Applicable temperature	-55°C~105°C
额定电压 Rated voltage	1000V

Ordering products

Product Name	Type	Model	3D Download	2D Download
EDB1-Plastic Dust Cover	Apply to the plug	EDB1-VP-BZ	↓	↓
EDB1-Plastic Dust Cover	Apply to the plug	EDB1-VS-BZ	↓	↓

Data Download

PRODUCT CATALOG	CAZN-Plastic waterproof connector series
-----------------	--

EMC	EMC Certificate 、 EMC Report 、 REACH233 Report
RoHS	Certificate 、 Report
WATERPROOF TEST REPORT	Certificate 、 Report