

## M12 Zinc alloy shell Male Back Mount Socket PCB Screw

### M16\*1.5/PG9



- European standard connector M12 series
- Structure type: Back mount socket
- Pin type: Male type
- Product shell : Zinc alloy shell
- Contacts number: 2,3,4,5,6,8,12,17 Pins
- Connection method: PCB
- Shield: No
- Certification: CE,RoHS,UL ,
- Standard: IEC 61076-2-101

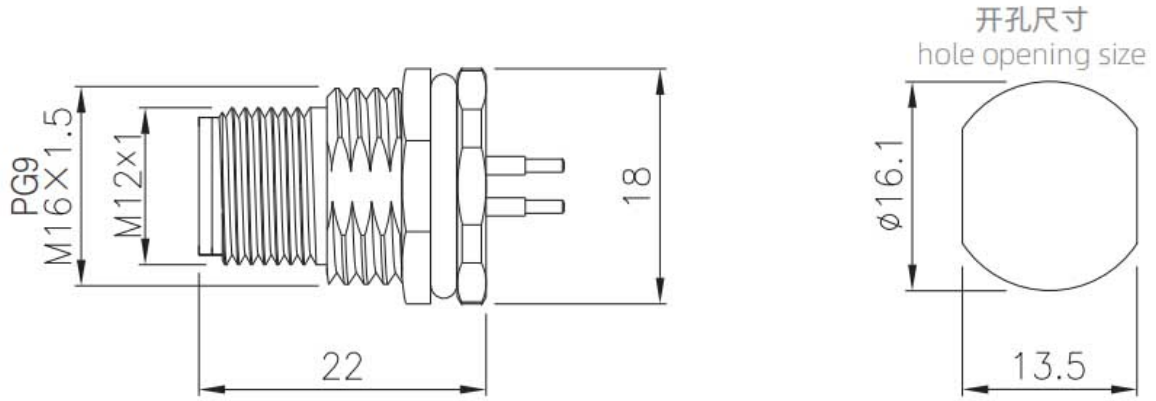
### TECHNICAL PARAMETER

Shell material	Brass/Zinc alloy nickel plated
Insulator material	PA+GF / TPU
Sealing material	Fluoro rubber,Green
Contact material	Brass , gold-plated
Molding material	TPU / PVC
Insulation impedance	$\geq 100 \text{ M}\Omega$
Contact impedance	$\leq 5 \text{ m}\Omega$
Durability	$\geq 500$ Cycles
Applicable temperature	-40°C ~ +80°C
Waterproof	IP67
Executive standard	IEC 61076-2-101

[M12 Zinc alloy shell Male Back Mount Socket PCB Screw](#)

[M16\\*1.5/PG9](#)

DIMENSION



PCB PINS ARRANGEMENT

芯数 Pins	2A	3A	4A	4D	5A
针型 插板式芯位分布图 Male PCB Pins Arrangement					
	5B	6A	8A	12A	17A
芯数 Pins	2A	3A	4A	4D	5A
孔型 插板式芯位分布图 Female PCB Pins Arrangement					
	5B	6A	8A	12A	17A

ELECTRICAL PARAMETERS

# M12 Zinc alloy shell Male Back Mount Socket PCB Screw



## M16\*1.5/PG9

芯数 Pins	针型 Male				额定电流 Rated current	额定电压 Rated voltage		导体规格 Conductor size		孔型 Female			
	A	B	C	D		A/C	D/C	AWG	mm <sup>2</sup>	A	B	C	D
2					4A	250V	250V	22	0.34				
3					4A	250V	250V	22	0.34				
4					4A	250V	250V	22	0.34				
5					4A:A型(A-Code) B型(B-Code) 2A:C型(C-Code)	60V	60V	22	0.34				
6					2A	30V	30V	24	0.25				
8					2A	30V	30V	24	0.25				
12					1.5A	30V	30V	26	0.14				
17					1.5A	30V	30V	26	0.14				

## Ordering products

Product Name	Pins	Outlet Size-PG9	Outlet Size-M16x1.5	3D Download	2D Download
M12 Zinc alloy shell Male Back Mount Socket -PCB	2A	M12-P2A-GPFP9-ZA	M12-P2A-GPFM16-ZA	M16/PG9	<a href="#">M16/PG9</a>
M12 Zinc alloy shell Male Back Mount Socket -PCB	3A	M12-P3A-GPFP9-ZA	M12-P3A-GPFM16-ZA	M16/PG9	<a href="#">M16/PG9</a>
M12 Zinc alloy shell Male Back Mount Socket -PCB	4A	M12-P4A-GPFP9-ZA	M12-P4A-GPFM16-ZA	M16/PG9	<a href="#">M16/PG9</a>
M12 Zinc alloy shell Male Back Mount Socket -PCB	4B	M12-P4B-GPFP9-ZA	M12-P4B-GPFM16-ZA	M16/PG9	<a href="#">M16/PG9</a>
M12 Zinc alloy shell Male Back Mount Socket -PCB	4D	M12-P4D-GPFP9-ZA	M12-P4D-GPFM16-ZA	M16/PG9	<a href="#">M16/PG9</a>
M12 Zinc alloy shell Male Back Mount Socket -PCB	5A	M12-P5A-GPFP9-ZA	M12-P5A-GPFM16-ZA	M16/PG9	<a href="#">M16/PG9</a>
M12 Zinc alloy shell Male Back Mount Socket -PCB	5B	M12-P5B-GPFP9-ZA	M12-P5B-GPFM16-ZA	M16/PG9	<a href="#">M16/PG9</a>
M12 Zinc alloy shell Male Back Mount Socket -PCB	5D	M12-P5D-GPFP9-ZA	M12-P5D-GPFM16-ZA	M16/PG9	<a href="#">M16/PG9</a>

## [M12 Zinc alloy shell Male Back Mount Socket PCB Screw](#)



### [M16\\*1.5/PG9](#)

M12 Zinc alloy shell Male Back Mount Socket -PCB	6A	M12-P6A-GPFP9-ZA	M12-P6A-GPFM16-ZA	M16/PG9	<a href="#">M16/PG9</a>
M12 Zinc alloy shell Male Back Mount Socket -PCB	8A	M12-P8A-GPFP9-ZA	M12-P8A-GPFM16-ZA	M16/PG9	<a href="#">M16/PG9</a>
M12 Zinc alloy shell Male Back Mount Socket -PCB	12A	M12-P12A-GPFP9-ZA	M12-P12A-GPFM16-ZA	M16/PG9	<a href="#">M16/PG9</a>
M12 Zinc alloy shell Male Back Mount Socket -PCB	17A	M12-P17A-GPFP9-ZA	M12-P17A-GPFM16-ZA	M16/PG9	<a href="#">M16/PG9</a>

## Data Download

Product Catalog	<a href="#">CAZN-M-SERIE-CONNECTOR</a> , <a href="#">CAZN-NMEA-Dedicated-Connector</a>
EMC	<a href="#">EMC Certificate</a>
RoHS	<a href="#">RoHS Certificate</a>