

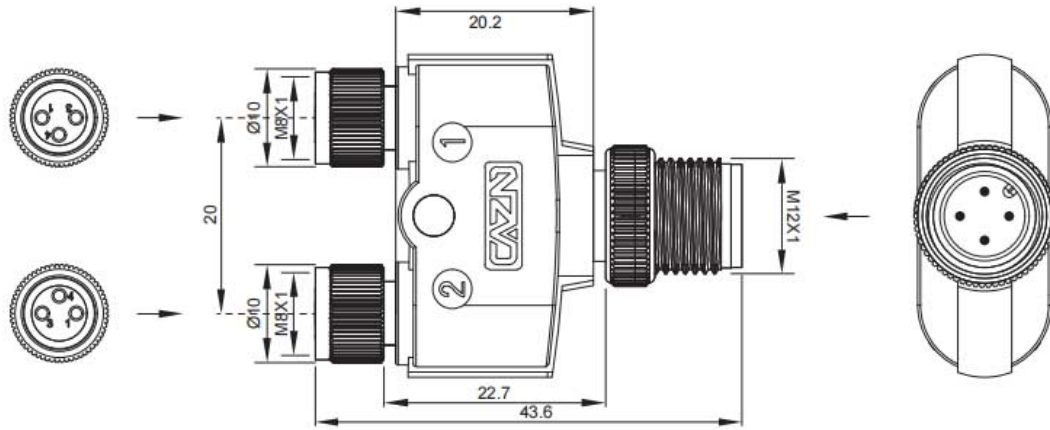


- European standard connector M12 series
- Structure type: Adapter
- Pin type: Y-Type
- Contacts number: 3,4pins
- Shield: No
- Certification: CE,RoHS,UL ,
- Standard: IEC 61076-2-101

Technical Parameter

Shell material	brass nickel plating/zinc alloy nickel/PA+GF
Insulator material	PA+GF/TPU
Sealing material	epoxy resin/rubber
Contact material	brass /phosphorus copper gold-plated
Molding material	TPU/PVC
Insulation impedance	$\geq 100 \text{ M } \Omega$
Contact impedance	$\leq 5 \text{ m } \Omega$
Durability	≥ 500 cycles
Applicable temperature	-25 °C~+80 °C
Waterproof	IP65/IP67
Executive standard	IEC 61076-2-101

Dimension



Wiring Definition

芯位 Pins	线芯颜色 Wire core color	
	2芯(Pins)	
1	BN	
2	-	
3	BU	

芯位 Pins	线芯颜色 Wire core color	
	3芯(Pins)	
1	BN	
2	-	
3	BU	
4	BK	

芯位 Pins	线芯颜色 Wire core color	
	6芯(Pins)	
1	BN	
2	WH	
3	BU	
4	BK	
5	-	
6	GY	
7	RD	

芯位 Pins	线芯颜色 Wire core color	
	8芯(Pins)	
1	WH	
2	BN	
3	GN	
4	YE	
5	GY	
6	PK	
7	BU	
8	RD	

芯位 Pins	线芯颜色 Wire core color					
	4芯A编码(4 Pins A-Code)		4芯B编码(4 Pins B-Code)		4芯D编码(4 Pins D-Code)	
1	BN		BN		YE	
2	WH		WH		WH	
3	BU		BU		OG	
4	BK		BK		BU	

芯位 Pins	线芯颜色 Wire core color	
	12芯(Pins)	
1	BN	
2	BU	
3	WH	
4	GN	
5	PK	
6	YE	
7	BK	
8	GY	
9	RD	
10	VT	
11	OG	
12	LTGN	

芯位 Pins	线芯颜色 Wire core color	
	17芯(Pins)	
1	BN	
2	BU	
3	WH	
4	GN	
5	PK	
6	YE	
7	BK	
8	GY	
9	RD	
10	VT	
11	OG	
12	LTGN	
13	LTBU	
14	BKWH	
15	BNWH	
16	RDWH	
17	BUWH	

*接线定义按常规标准，如按协议或者其他请联系我司业务。
Wiring definition according to conventional standards, if according to the agreement or other please contact our sales.

Electrical paramete

芯数 Pins	针型 Male				额定电流 Rated current	额定电压 Rated voltage		导体规格 Conductor size		孔型 Female			
	A	B	C	D		A/C	D/C	AWG	mm ²	A	B	C	D
2					4A	250V	250V	22	0.34				
3					4A	250V	250V	22	0.34				
4					4A	250V	250V	22	0.34				
5					4A:A型(A-Code) B型(B-Code) 2A:C型(C-Code)	60V	60V	22	0.34				
6					2A	30V	30V	24	0.25				
8					2A	30V	30V	24	0.25				
12					1.5A	30V	30V	26	0.14				
17					1.5A	30V	30V	26	0.14				

Ordering products

Product name	Models	3D Download	2D Download
M12 Y-Type Adapter (M12-M8*2, PSS)	M12 - Y - P 3A / S 3A x2		
M12 Y-Type Adapter (M12-M8*2, PSS)	M12 - Y - P 4A / S 4A x2		

Data Download

Product Catalog	CAZN-M-SERIE-CONNECTOR 、 CAZN-NMEA-Dedicated-Connector
EMC	EMC Certificate
RoHS	RoHS Certificate