

M8 Straight Male Overmolded Plug (LED)

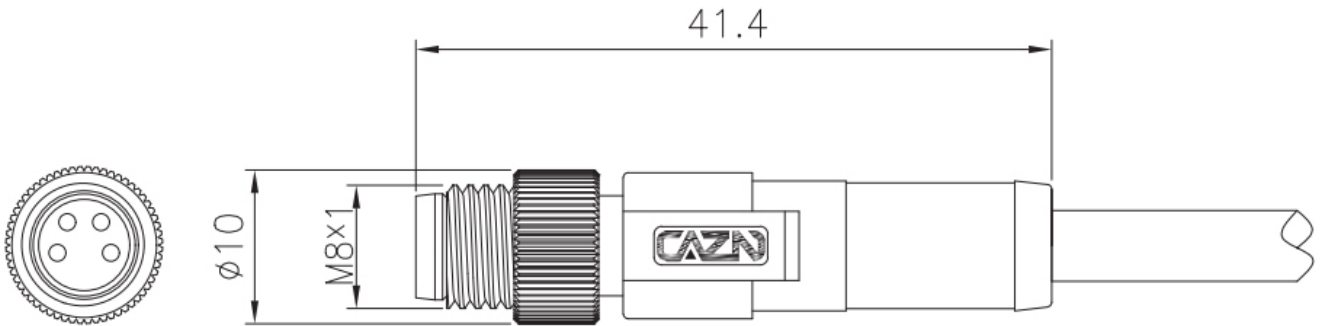


- European standard Connectors M8 Series,
- Structure type: Straight Overmolded Plug,
- Pin type: Male type,
- Contacts number: 3, 4 pin,
- Cable material: PVC/PUR,
- Cable length: 1/2/5 Meters (customizable),
- Shield: Yes/No two options,
- Certification: CE,RoHS,UL,
- Standard: IEC 61076-2-104,

MECHANICAL PARAMETERS

Shell material :	Brass nickel plated
Insulator material :	PA66
Sealing material :	Epoxy resin/Rubber
Contact material :	Phosphorus copper gold-plated/Brass copper gold-plated
Molding material :	TPU/PVC
Insulation impedance :	$\geq 100 \text{ M}\Omega$
Contact impedance :	$\leq 5 \text{ m}\Omega$
Durability :	≥ 500 Cycles
Applicable temperature :	$-25^{\circ}\text{C} \sim +80^{\circ}\text{C}$
Waterproof grade :	IP65/IP67
Execution standard :	IEC 61076-2-104

DATASHEET



WIRE DEFINITION

芯位 Pins	线芯颜色 Wire core color
3芯(Pins)	
1	BN
2	-
3	BU
4	BK

芯位 Pins	线芯颜色 Wire core color	
	4芯A编码(4 Pins A-Code)	4芯D编码(4 Pins D-Code)
1	BN	YE
2	WH	WH
3	BU	OG
4	BK	BU

芯位 Pins	线芯颜色 Wire core color			
	5芯A编码(5 Pins A-Code)		5芯B编码(5 Pins B-Code)	
1	BN	BN		
2	WH	WH		
3	BU	BU		
4	BK	BK		
5	GY	GY		

芯位 Pins	线芯颜色 Wire core color
6芯(Pins)	
1	BN
2	WH
3	BU
4	BK
5	GY
6	PK

芯位 Pins	线芯颜色 Wire core color
8芯(Pins)	
1	WH
2	BN
3	GN
4	YE
5	GY
6	PK
7	BU
8	RD

*接线定义按常规标准，如按协议或者其他请联系我司业务。

Wiring definition according to conventional standards, if according to the agreement or other please contact our sales.

ELECTRICAL PARAMETERS

M8 Straight Male Overmolded Plug (LED)



芯数 Pins	针型 Male			额定电流 Rated current	额定电压 Rated voltage		导体规格 Conductor size		孔型 Female		
	A	B	D		A/C	D/C	AWG	mm ²	A	B	D
3				3A	60V	60V	24	0.25			
4				A型(A-Code): 3A D型(D-Code): 4A	A型(A-Code): 60V D型(D-Code): 48V	60V	24	0.25			
5				3A	30V	30V	24	0.25			
6				A型(A-Code): 1.5A D型(D-Code): 1.5A/3A	30V	30V	26	0.14			
8				1.5A	30V	30V	26	0.14			

Ordering products

Product Name	LED Qty	Pins	Part No.	3D Download	2D Download
M8 Straight Male Overmolded Plug (LED)--xxMeters-PVC jacket	2 lights PNP	3A	M8-P3A-MWA-1PV-LP2		
M8 Straight Male Overmolded Plug (LED)--xxMeters-PVC jacket	2 lights NPN	3A	M8-P3A-MWA-1PV-LN2		
M8 Straight Male Overmolded Plug (LED)--xxMeters-PVC jacket	3 lights PNP	3A	M8-P3A-MWA-1PV-LP3		
M8 Straight Male Overmolded Plug (LED)--xxMeters-PVC jacket	3 lights NPN	3A	M8-P3A-MWA-1PV-LN3		
M8 Straight Male Overmolded Plug (LED)--xxMeters-PVC jacket	2 lights PNP	4A	M8-P4A-MWA-1PV-LP2		
M8 Straight Male Overmolded Plug (LED)--xxMeters-PVC jacket	2 lights NPN	4A	M8-P4A-MWA-1PV-LN2		
M8 Straight Male Overmolded Plug (LED)--xxMeters-PVC jacket	3 lights PNP	4A	M8-P4A-MWA-1PV-LP3		
M8 Straight Male Overmolded Plug (LED)--xxMeters-PVC jacket	3 lights NPN	4A	M8-P4A-MWA-1PV-LN3		

*If need to choose other wires, please consult customer service.

Data Download

M8 Straight Male Overmolded Plug (LED)



Product Catalog	CAZN-M Series products brochure
EMC Certification	View
RoHS Report	View
European Standard Series-EMC Certificate	View