

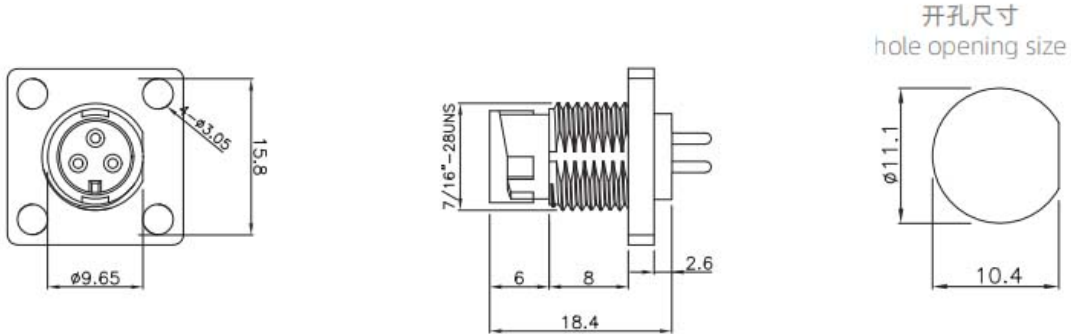


- Plastic Waterproof Connector/ E7 series
- Type: Square
- Gender: Male
- Coupling : Bayonet(B)
- Termination: PCB
- Number of cores: 2,3,4,5,6 pins
- Shielded: No,
- Certification: CE RoHS

### Mechanical parameter

Shell material:	Thermoplastic plastic PA66, flame retardant grade: V-0
Contact material:	Brass/Phosphor copper gold-plated
Sealing material:	Epoxy resin/rubber
Coupling:	Thread (T); Bayonet(B)
Termination Way:	Solder
Contact impedance:/td>	$\leq 5m\Omega$
Durability:	$\geq 500$ (Cycles)
Insulation resistance:	$\geq 100m\Omega$
Applicable temperature:	-25°C ~ +105°C
Waterproof grade:	IP67 , IP68
Screw size	7/16"-28UNS

## Dimensions



## Electrical parameters

芯数排列及技术参数 PINS ARRANGEMENT & TECHNICAL PARAMETERS					
芯数 Pins	2	3	4	5	6
芯位排布 Pins arrangement					
规格 SPECIFICATIONS					
芯数 Pins	2	3	4	5	6
线规 Wire gauge	0.519mm <sup>2</sup> (20AWG)			0.34mm <sup>2</sup> (20AWG)	
引脚类型 Pin type	φ1.0mm			φ0.8mm	
接线范围 Wiring range	3.5mm~6.8mm				
防水等级 Waterproof grade	IP67/IP68				
插拔次数 Durability	500				
适应温度 Applicable temperature	-45°C~105°C				
额定电压 Rated voltage	125V	125V	60V	60V	60V
额定电流 Rated current	5A	5A	2A	2A	2A

芯数 Pins	2	3	4	5	6
芯位图 Pins arrangement					

## Ordering products

## E7 Male Square PCB Receptacle(Bayonet)

Product Name	Rated Voltage	Rated Current	Pins	P/N	3D Download	2D Download
E7 Male Square PCB Receptacle(Bayonet)	125V	5A	2	E7B-P2-PPH		
E7 Male Square PCB Receptacle(Bayonet)	125V	5A	3	E7B-P3-PPH		
E7 Male Square PCB Receptacle(Bayonet)	60V	2A	4	E7B-P4-PPH		
E7 Male Square PCB Receptacle(Bayonet)	60V	2A	5	E7B-P5-PPH		
E7 Male Square PCB Receptacle(Bayonet)	60V	2A	6	E7B-P6-PPH		

## Data Download

Product Catalog	<a href="#">CAZN-Plastic Waterproof Connector brochures</a>
EMC	<a href="#">EMC Report</a> 、 <a href="#">EMCReport</a> 、 <a href="#">REACH233Report</a>
RoHS	<a href="#">Certificate</a> 、 <a href="#">Report</a>
Waterproof test report	<a href="#">Certificate</a> 、 <a href="#">Report</a>