

EP-USB Panel type board front installation female socket/Male straight plug(Threaded)



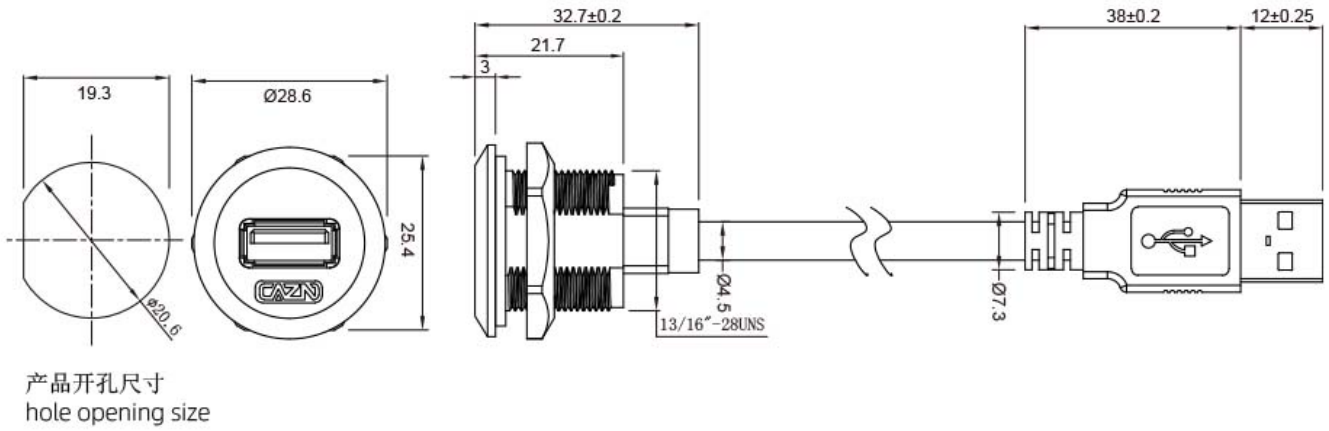
- Plastic waterproof connector EP panel series,
- Structure type: Female socket installed in front of panel type board,
- Pin type: hole type,
- Connection method: welding type,
- Chip count: USB 2.0, 3.0,
- Shielding: customizable,
- Certification: CE RoHS,

**MECHANICAL PARAMETER**

Shell material:	Thermoplastic plastic PA66, flame retardant grade: V-0
Contact material:	Brass/Phosphor copper gold-plated
Sealing material:	Epoxy resin/rubber
Coupling:	Thread (T)
Termination Way:	Solder
Contact impedance:	≤5mΩ
Durability:	≥500(Cycles)
Insulation resistance:	≥100mΩ
Applicable temperature:	-40°C ~ +105°C
Waterproof grade:	IP67 , IP68
Cable material:	PVC Jacket
Rated current:	1~3A
Rated voltage:	5~20V

[EP-USB Panel type board front installation female socket/Male straight plug\(Threaded\)](#)

**DIMENSIONS**



**Ordering products**

Product Name	Pins	Model-Shielded	Model-Unshielded	3D Download	2D Download
EP-USB Panel type board front installation female socket /Male straight plug(Threaded)-xxM-PVC	USB2.0	EP-FU2-PWF/ MU2-NWA-xxPV-S	EP-FU2-PWF/ MU2-NWA-xxPV		<a href="#">↓</a>
EP-USB Panel type board front installation female socket /Male straight plug(Threaded)-xxM-PVC	USB3.0	EP-FU3-PWF/ MU3-NWA-xxPV-S	EP-FU3-PWF/ MU3-NWA-xxPV		<a href="#">↓</a>

\*If you need to choose other wire, please consult customer service.

**Data Download**

Product Catalog	<a href="#">CAZN-Plastic Waterproof Connector brochures</a>
EMC	<a href="#">EMC Report</a> 、 <a href="#">EMCReport</a> 、 <a href="#">REACH233Report</a>
RoHS	<a href="#">Certificate</a> 、 <a href="#">Report</a>
Waterproof test report	<a href="#">Certificate</a> 、 <a href="#">Report</a>