

EP-RJ45 Panel front installation of dual female socket(Threaded)



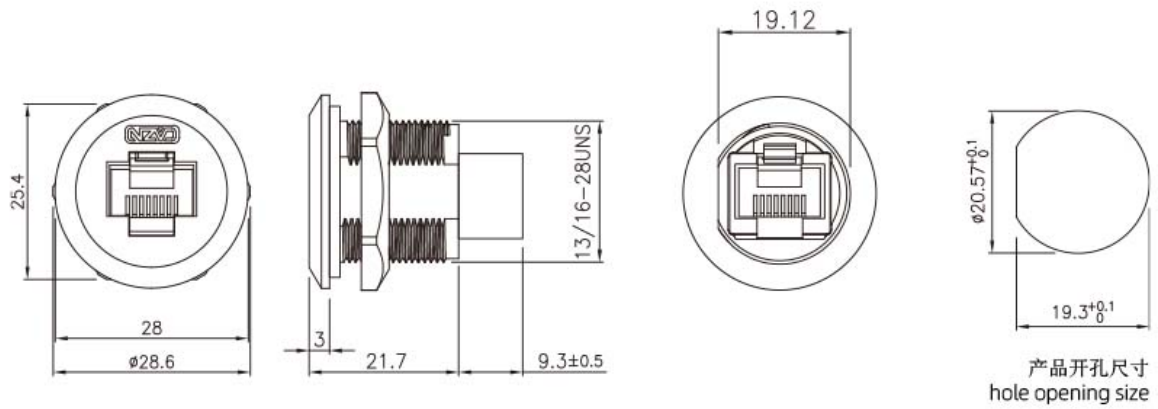
- Plastic waterproof connector EP panel series,
- Structure type: Double female socket installed in front of the board,
- Pin type: hole type,
- Connection method: welding type,
- Chip count: CAT5e, CAT6e,
- Certification: CE RoHS,

MECHANICAL PARAMETER

Shell material:	Thermoplastic plastic PA66, flame retardant grade: V-0
Contact material:	Brass/Phosphor copper gold-plated
Sealing material:	Epoxy resin/rubber
Coupling:	Thread (T)
Termination Way:	Solder
Contact impedance:	≤5mΩ
Durability:	≥500(Cycles)
Insulation resistance:	≥100mΩ
Applicable temperature:	-40°C ~ +105°C
Waterproof grade:	IP67 , IP68
Cable material:	PVC Jacket
Rated current:	1~3A
Rated voltage:	5~20V

[EP-RJ45 Panel front installation of dual female socket\(Threaded\)](#)

DIMENSIONS



Ordering products

Product Name	Pins	Model	3D Download	2D Download
EP-RJ45 Panel front installation of dual female socket(Threaded)	CAT6e	EP-FR6-PRB		

Data Download

Product Catalog	CAZN-Plastic Waterproof Connector brochures
EMC	EMC Report 、 EMCReport 、 REACH233Report
RoHS	Certificate 、 Report
Waterproof test report	Certificate 、 Report