

## Shielded



- European standard connector M12 series
- Structure type: back mount socket
- Pin type: female type
- Contacts number: 2,3,4,5,6,8,12,17pins
- Connection method: solder
- Shield: Yes
- Certification: CE,RoHS,UL ,
- Standard: IEC 61076-2-101

## Technical Parameter

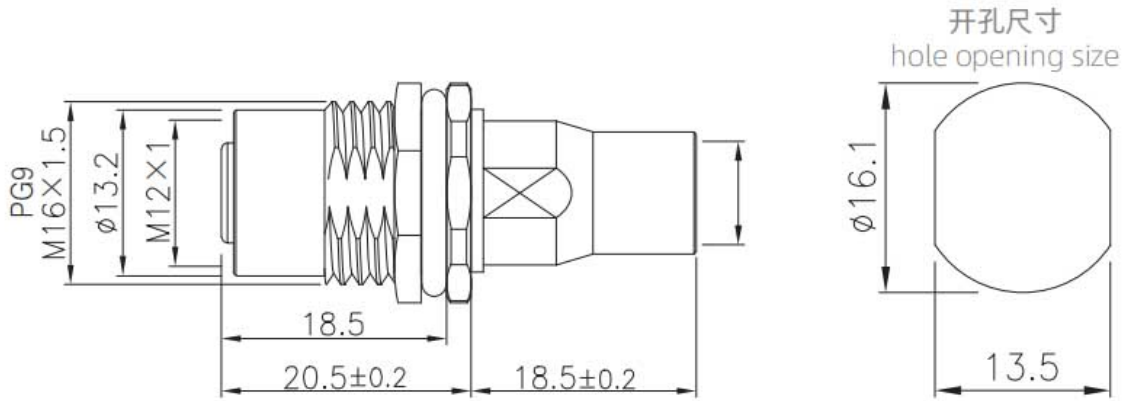
Shell material	brass nickel plating/zinc alloy nickel/PA+GF
Insulator material	PA+GF/TPU
Sealing material	epoxy resin/rubber
Contact material	brass /phosphorus copper gold-plated
Molding material	TPU/PVC
Insulation impedance	$\geq 100 \text{ M } \Omega$
Contact impedance	$\leq 5 \text{ m } \Omega$
Durability	$\geq 500$ cycles
Applicable temperature	-25 °C~+80 °C
Waterproof	IP65/IP67
Executive standard	IEC 61076-2-101

# M12 Female Back Mount Socket Solder Screw M16\*1.5/PG9



## Shielded

## Dimension



## Wiring Definition

芯位 Pins	线芯颜色 Wire core color	
	2芯(Pins)	
1	BN	
2	-	
3	BU	

芯位 Pins	线芯颜色 Wire core color	
	3芯(Pins)	
1	BN	
2	-	
3	BU	
4	BK	

芯位 Pins	线芯颜色 Wire core color	
	6芯(Pins)	
1	BN	
2	WH	
3	BU	
4	BK	
5	-	
6	GY	
7	RD	

芯位 Pins	线芯颜色 Wire core color	
	8芯(Pins)	
1	WH	
2	BN	
3	GN	
4	YE	
5	GY	
6	PK	
7	BU	
8	RD	

芯位 Pins	线芯颜色 Wire core color					
	4芯A编码(4 Pins A-Code)		4芯B编码(4 Pins B-Code)		4芯D编码(4 Pins D-Code)	
1	BN		BN		YE	
2	WH		WH		WH	
3	BU		BU		OG	
4	BK		BK		BU	

芯位 Pins	线芯颜色 Wire core color	
	12芯(Pins)	
1	BN	
2	BU	
3	WH	
4	GN	
5	PK	
6	YE	
7	BK	
8	GY	
9	RD	
10	VT	
11	OG	
12	LTGN	

芯位 Pins	线芯颜色 Wire core color	
	17芯(Pins)	
1	BN	
2	BU	
3	WH	
4	GN	
5	PK	
6	YE	
7	BK	
8	GY	
9	RD	
10	VT	
11	OG	
12	LTGN	
13	LTBU	
14	BKWH	
15	BNWH	
16	RDWH	
17	BUWH	

\*接线定义按常规标准，如按协议或者其他请联系我司业务。

Wiring definition according to conventional standards, if according to the agreement or other please contact our sales.

## Electrical parameter



## [M12 Female Back Mount Socket Solder Screw M16\\*1.5/PG9](#)



### [Shielded](#)

### Ordering products

Product name	Cut-Out Size-M16	Cut-Out Size-PG9	3D Download	2D Download
M12 female back mount socket 2A solder screw M16*1.5/PG9 Shielded	M12-S2A-GWFM16-xPV-PBG	M12-S2A-GWFPG9-xPV-PBG		
M12 female back mount socket 3A solder screw M16*1.5/PG9 Shielded	M12-S3A-GWFM16-xPV-PBG	M12-S3A-GWFPG9-xPV-PBG		
M12 female back mount socket 3C solder screw M16*1.5/PG9 Shielded	M12-S3C-GWFM16-xPV-PBG	M12-S3C-GWFPG9-xPV-PBG		
M12 female back mount socket 4A solder screw M16*1.5/PG9 Shielded	M12-S4A-GWFM16-xPV-PBG	M12-S4A-GWFPG9-xPV-PBG		
M12 female back mount socket 4D solder screw M16*1.5/PG9 Shielded	M12-S2A-GWFM16-xPV-PBG	M12-S2A-GWFPG9-xPV-PBG		
M12 female back mount socket 4C solder screw M16*1.5/PG9 Shielded	M12-S2A-GWFM16-xPV-PBG	M12-S2A-GWFPG9-xPV-PBG		
M12 female back mount socket 5A solder screw M16*1.5/PG9 Shielded	M12-S5A-GWFM16-xPV-PBG	M12-S5A-GWFPG9-xPV-PBG		
M12 female back mount socket 5B solder screw M16*1.5/PG9 Shielded	M12-S2A-GWFM16-xPV-PBG	M12-S2A-GWFPG9-xPV-PBG		
M12 female back mount socket 5C solder screw M16*1.5/PG9 Shielded	M12-S2A-GWFM16-xPV-PBG	M12-S2A-GWFPG9-xPV-PBG		

## [M12 Female Back Mount Socket Solder Screw M16\\*1.5/PG9](#)



### [Shielded](#)

M12 female back mount socket 6A solder screw M16*1.5/PG9 Shielded	M12-S2A-GWFM16-xPV-PBG	M12-S2A-GWFPG9-xPV-PBG		
M12 female back mount socket 6C solder screw M16*1.5/PG9 Shielded	M12-S2A-GWFM16-xPV-PBG	M12-S2A-GWFPG9-xPV-PBG		
M12 female back mount socket 8A solder screw M16*1.5/PG9 Shielded	M12-S2A-GWFM16-xPV-PBG	M12-S2A-GWFPG9-xPV-PBG		
M12 female back mount socket 12A solder screw M16*1.5/PG9 Shielded	M12-S2A-GWFM16-xPV-PBG	M12-S2A-GWFPG9-xPV-PBG		
M12 female back mount socket 17A solder screw M16*1.5/PG9 Shielded	M12-S17A-GWFM16-xPV-PBG	M12-S17A-GWFPG9-xPV-PBG		

### Data Download

Product Catalog	<a href="#">CAZN-M-SERIE-CONNECTOR</a> 、 <a href="#">CAZN-NMEA-Dedicated-Connector</a>
EMC	<a href="#">EMC Certificate</a>
RoHS	<a href="#">RoHS Certificate</a>