

M12 Female Back Mount Socket Solder Screw M15*1 Plastic type



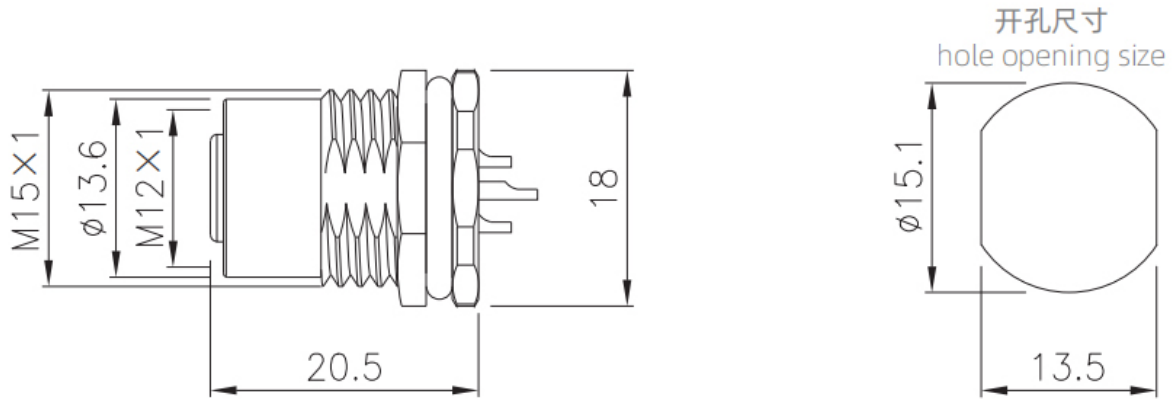
- European standard connector M12 series,
- Structure type: Back mount socket,
- Pin Type: Female Type,
- Contacts number: 2,3,4,5,6,8,12,17pin,
- Connection method: Solder,
- Shield: No,
- Certification: CE,RoHS,UL ,
- Standard: IEC 61076-2-101,

Technical Parameter

Shell material	brass nickel plating/zinc alloy nickel/PA+GF
Insulator material	PA+GF/TPU
Sealing material	epoxy resin/rubber
Contact material	brass /phosphorus copper gold-plated
Molding material	TPA/PVC
Insulation impedance	$\geq 100 \text{ M } \Omega$
Contact impedance	$\leq 5 \text{ m } \Omega$
Durability	≥ 500 cycles
Applicable temperature	-25 °C~+80 °C
Waterproof	IP65/IP67
Executive standard	IEC 61076-2-101

M12 Female Back Mount Socket Solder Screw M15*1 Plastic type

Dimension



PCB pin bitmap

M12 Female Back Mount Socket Solder Screw M15*1 Plastic type

芯数 Pins	2A	3A	4A	4D	5A
针型 插板式芯位分布图 Male PCB Pins Arrangement					
	5B	6A	8A	12A	17A
芯数 Pins	2A	3A	4A	4D	5A
孔型 插板式芯位分布图 Female PCB Pins Arrangement					
	5B	6A	8A	12A	17A

Electrical parameters

M12 Female Back Mount Socket Solder Screw M15*1 Plastic



type

芯数 Pins	针型 Male				额定电流 Rated current	额定电压 Rated voltage		导体规格 Conductor size		孔型 Female			
	A	B	C	D		A/C	D/C	AWG	mm ²	A	B	C	D
2					4A	250V	250V	22	0.34				
3					4A	250V	250V	22	0.34				
4					4A	250V	250V	22	0.34				
5					4A:A型(A-Code) B型(B-Code) 2A:C型(C-Code)	60V	60V	22	0.34				
6					2A	30V	30V	24	0.25				
8					2A	30V	30V	24	0.25				
12					1.5A	30V	30V	26	0.14				
17					1.5A	30V	30V	26	0.14				

Ordering products

Product Name	Hole Size	3D Download	2D Download
M12 Female Back Mount Socket (Solder, Screw M15*1, Plastic type)	M12-S2A-PWFM15-xPV		
M12 Female Back Mount Socket (Solder, Screw M15*1, Plastic type)	M12-S3A-PWFM15-xPV		
M12 Female Back Mount Socket (Solder, Screw M15*1, Plastic type)	M12-S3C-PWFM15-xPV		
M12 Female Back Mount Socket (Solder, Screw M15*1, Plastic type)	M12-S4A-PWFM15-xPV		
M12 Female Back Mount Socket (Solder, Screw M15*1, Plastic type)	M12-S4C-PWFM15-xPV		
M12 Female Back Mount Socket (Solder, Screw M15*1, Plastic type)	M12-S4D-PWFM15-xPV		
M12 Female Back Mount Socket (Solder, Screw M15*1, Plastic type)	M12-S5A-PWFM15-xPV		
M12 Female Back Mount Socket (Solder, Screw M15*1, Plastic type)	M12-S5B-PWFM15-xPV		

M12 Female Back Mount Socket Solder Screw M15*1 Plastic type



M12 Female Back Mount Socket (Solder, Screw M15*1, Plastic type)	M12-S5C-PWFM15-xPV		
M12 Female Back Mount Socket (Solder, Screw M15*1, Plastic type)	M12-S6A-PWFM15-xPV		
M12 Female Back Mount Socket (Solder, Screw M15*1, Plastic type)	M12-S6C-PWFM15-xPV		
M12 Female Back Mount Socket (Solder, Screw M15*1, Plastic type)	M12-S8A-PWFM15-xPV		
M12 Female Back Mount Socket (Solder, Screw M15*1, Plastic type)	M12-S12A-PWFM15-xPV		
M12 Female Back Mount Socket (Solder, Screw M15*1, Plastic type)	M12-S17A-PWFM15-xPV		

Data Download

Product Catalog	CAZN-M-SERIE-CONNECTOR 、 CAZN-NMEA-Dedicated-Connector
EMC	EMC Certificate
RoHS	RoHS Certificate