

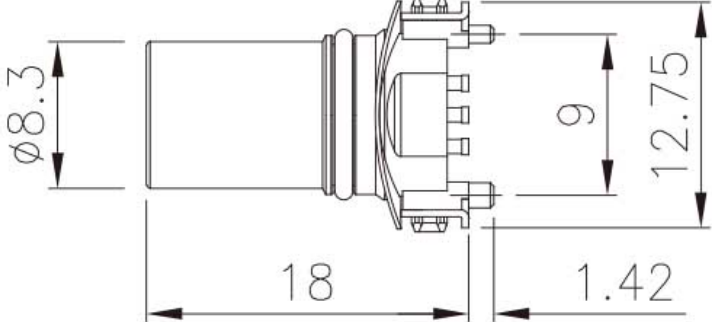


- European standard connector M12 series
- Structure type: SMD receptacle assembly
- Pin type: female type
- Contacts number: 2,3,4,5,6,8,12,17pins
- Connection method: SMD
- Shield: No
- Certification: CE,RoHS,UL ,
- Standard: IEC 61076-2-101

Technical Parameter

Shell material	brass nickel plating/zinc alloy nickel/PA+GF
Insulator material	PA+GF/TPU
Sealing material	epoxy resin/rubber
Contact material	brass /phosphorus copper gold-plated
Molding material	TPU/PVC
Insulation impedance	$\geq 100 \text{ M } \Omega$
Contact impedance	$\leq 5 \text{ m } \Omega$
Durability	≥ 500 cycles
Applicable temperature	-25 °C~+80 °C
Waterproof	IP65/IP67
Executive standard	IEC 61076-2-101

Dimension



PCB pin bitmap

芯数 Pins	2A	3A	4A	4D	5A
针型 插板式芯位分布图 Male PCB Pins Arrangement					
	5B	6A	8A	12A	17A
芯数 Pins	2A	3A	4A	4D	5A
孔型 插板式芯位分布图 Female PCB Pins Arrangement					
	5B	6A	8A	12A	17A

Electrical parameter

芯数 Pins	针型 Male				额定电流 Rated current	额定电压 Rated voltage		导体规格 Conductor size		孔型 Female			
	A	B	C	D		A/C	D/C	AWG	mm ²	A	B	C	D
2					4A	250V	250V	22	0.34				
3					4A	250V	250V	22	0.34				
4					4A	250V	250V	22	0.34				
5					4A:A型(A-Code) B型(B-Code) 2A:C型(C-Code)	60V	60V	22	0.34				
6					2A	30V	30V	24	0.25				
8					2A	30V	30V	24	0.25				
12					1.5A	30V	30V	26	0.14				
17					1.5A	30V	30V	26	0.14				

Ordering products

Product name	Pins	Product No.	3D Download	2D Download
M12 Female SMD Type Socket	2A	M12-S2A-PSS	↓	↓
M12 Female SMD Type Socket	3A	M12-S3A-PSS	↓	↓
M12 Female SMD Type Socket	4A	M12-S4A-PSS	↓	↓
M12 Female SMD Type Socket	5A	M12-S5A-PSS	↓	↓
M12 Female SMD Type Socket	6A	M12-S6A-PSS	↓	↓
M12 Female SMD Type Socket	8A	M12-S8A-PSS	↓	↓
M12 Female SMD Type Socket	12A	M12-S12A-PSS	↓	↓
M12 Female SMD Type Socket	17A	M12-S17A-PSS	↓	↓
M12 Female SMD Type Socket	5B	M12-S5B-PSS	↓	↓
M12 Female SMD Type Socket	4D	M12-S4D-PSS	↓	↓
M12 Front Mount Male Shell (Screw M12*1)	-	M12-PGBM12	↓	

M12 Front Mount Female Shell (Screw M12*1)	-	M12-SGBM12	↓	
M12 Back Mount Male Shell (Screw M12*1)	-	M12-PGFM12	↓	
M12 Back Mount Male Shell (Screw M15*1)	-	M12-PGFM15	↓	
M12 Back Mount Female Shell (Screw M15*1)	-	M12-SGFM15	↓	

Data Download

Product Catalog	CAZN-M-SERIE-CONNECTOR 、 CAZN-NMEA-Dedicated-Connector
EMC	EMC Certificate
RoHS	RoHS Certificate