

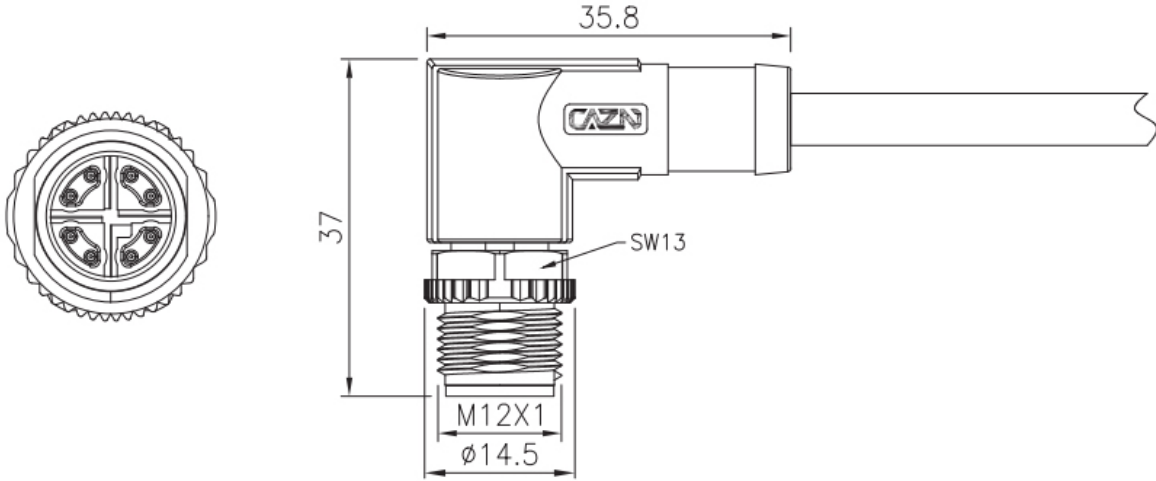


- European standard connector M12 series Data type
- Structure type: Overmolded Curved Plug
- Pin type: Male type
- Contacts number: 6,8 Pins
- Connection method: Solder
- Shield: Yes
- Certification: CE,RoHS,UL ,
- Standard: IEC 61076-2-101

TECHNICAL PARAMETER

Shell material	Brass nickel plating / Zinc alloy nickel/PA+GF
Insulator material	PA+GF / TPU
Sealing material	Epoxy resin / Rubber
Contact material	Brass / Phosphorus copper gold-plated
Molding material	TPA / PVC
Insulation impedance	$\geq 100 \text{ M}\Omega$
Contact impedance	$\leq 5 \text{ m}\Omega$
Durability	≥ 500 cycles
Applicable temperature	-25°C ~ +80°C
Waterproof	IP65 / IP67
Executive standard	IEC 61076-2-101

DIMENSION



WIRING DEFINITION

芯位 Pins	线芯颜色 Wire core color			
	8X(8 Pins X-Code)			
1	WHOG			D1+
2	OG			D1-
3	WHGN			D2+
4	GN			D2-
5	WHBN			D4+
6	BN			D4-
7	WHBU			D3-
8	BU			D3+

芯位 Pins	线芯颜色 Wire core color			
	6Y(6 Pins Y-Code)			
1	WHOG			D1+
2	OG			D1-
3	WHGN			D2+
4	GN			D2-
5	BU			D4+
6	WH			D4-

芯位 Pins	线芯颜色 Wire core color			
	8Y(8 Pins Y-Code)			
1	WHOG			D1+
2	OG			D1-
3	WHGN			D2+
4	GN			D2-
5	BU			D4+
6	WH			D4-
7	BN			D3-
8	BK			D3+

*接线定义按常规标准，如按协议或者其他请联系我司业务。
Wiring definition according to conventional standards, if according to the agreement or other please contact our sales.

ELECTRICAL PARAMETER

接口类型 Interface Code type	芯数 Pins	针型 Male	额定电流 Rated current	额定电压 Rated voltage		导体规格 Conductor size		孔型 Female
				A/C	D/C	AWG	mm ²	
X型 X-Code	8X		0.5A	50V	60V	26~24	0.14~0.25	
Y型 Y-Code	6Y		0.5A/12A	30V	30V	2×26AWG+ 4×20AWG	0.14~0.5	
	8Y		0.5A/6A	30V	30V	4×26AWG+ 4×20AWG	0.14~0.5	

Ordering products

Product Name	Pins	Part No.-Shielded	3D Download	2D Download
M12 Angled Male Overmolded Plug (Data type, Shielded)-xx Meters-PVC Jacket	8X	M12-P8X-GWD-xxPV-S		
M12 Angled Male Overmolded Plug (Data type, Shielded)-xx Meters-PVC Jacket	6Y	M12-P6Y-GWD-xxPV-S		
M12 Angled Male Overmolded Plug (Data type, Shielded)-xx Meters-PVC Jacket	8Y	M12-P8Y-GWD-xxPV-S		

*If needing other cable materials please contact our sales.

Data Download

Product Catalog	CAZN-M-SERIE-CONNECTOR , CAZN-NMEA-Dedicated-Connector
EMC	EMC Certificate
RoHS	RoHS Certificate