

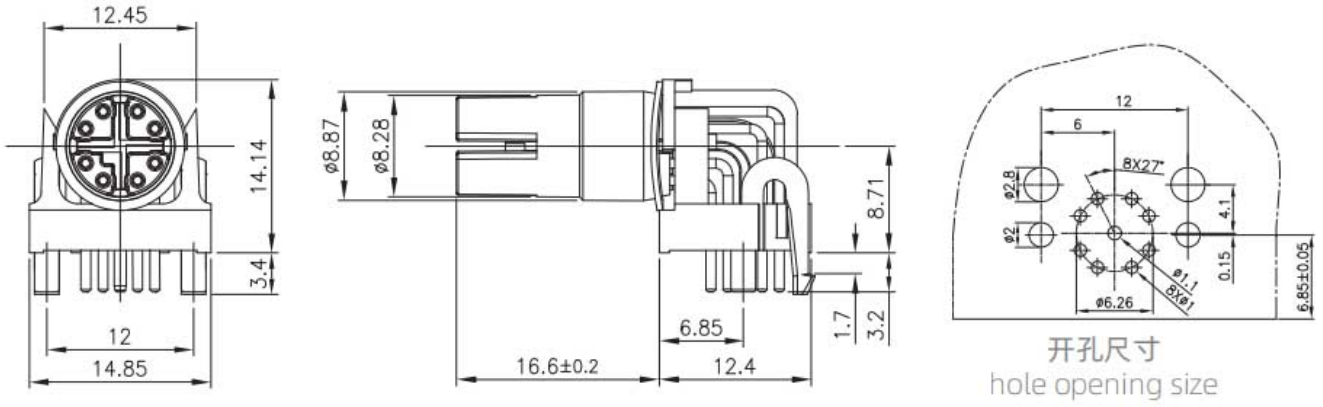


- European standard connector M12 series
- Structure type: front mount socket
- Pin type: female type
- Contacts number: 8X、 6Y、 8Y
- Connection method: PCB
- Shield: Yes
- Certification: CE,RoHS,UL ,
- Standard: IEC 61076-2-101

## Technical Parameter

Shell material	Brass nickel plating/Zinc alloy nickel/PA+GF
Insulator material	PA+GF/TPU
Sealing material	Epoxy resin/Rubber
Contact material	Brass /Phosphorus copper gold-plated
Molding material	TPU/PVC
Insulation impedance	Insulation impedance
Contact impedance	$\leq 5 \text{ m } \Omega$
Durability	$\geq 500$ cycles
Applicable temperature	-25 °C~+80 °C
Waterproof	IP65/IP67
Executive standard	IEC 61076-2-101

Dimension



PINS ARRANGEMENT

芯数 Pins	6Y	8Y	8X
插板式芯位分布图 PCB Pins Arrangement			

Electrical parameter

接口类型 Interface Code type	芯数 Pins	针型 Male	额定电流 Rated current	额定电压 Rated voltage		导体规格 Conductor size		孔型 Female
				A/C	D/C	AWG	mm <sup>2</sup>	
X型 X-Code	8X		0.5A	50V	60V	26~24	0.14~0.25	
Y型 Y-Code	6Y		0.5A/12A	30V	30V	2×26AWG+ 4×20AWG	0.14~0.5	
	8Y		0.5A/6A	30V	30V	4×26AWG+ 4×20AWG	0.14~0.5	

### Ordering products

Product name	Pins	Product No.	3D Download	2D Download
M12 Right angle Female Socket (PCB)	8X	M12-S8X-PPL	<a href="#">↓</a>	<a href="#">↓</a>
M12 Right angle Female Socket (PCB)	6Y	M12-S6Y-PPL		
M12 Right angle Female Socket (PCB)	8Y	M12-S8Y-PPL		
M12 Front Mount Female Shell(Screw M12*1)	-	M12-SGBM12-X	<a href="#">↓</a>	<a href="#">↓</a>
M12 Back Mount Female Shell(Screw M12*1)	-	M12-SGFM12-X	<a href="#">↓</a>	<a href="#">↓</a>

### Data Download

Product Catalog	<a href="#">CAZN-M-SERIE-CONNECTOR</a> 、 <a href="#">CAZN-NMEA-Dedicated-Connector</a>
EMC	<a href="#">EMC Certificate</a>
RoHS	<a href="#">RoHS Certificate</a>