

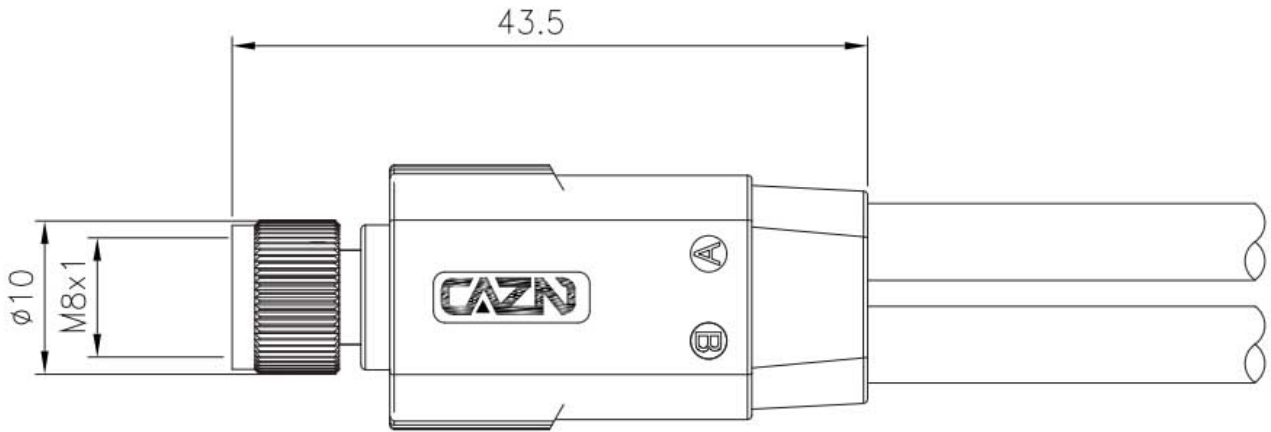


- European standard Connectors M8 Series,
- Structure type: 1 to 2 Overmolded Plug,
- Pin type: Female type,
- Contacts number: 3, 4, 5, 6, 8 pin,
- Cable material: PVC/PUR,
- Cable length: 1/2/5 Meters (customizable),
- Shield: No,
- Certification: CE,RoHS,UL,
- Standard: IEC 61076-2-104,

### MECHANICAL PARAMETERS

Shell material :	Brass nickel plated
Insulator material :	PA66
Sealing material :	Epoxy resin/Rubber
Contact material :	Phosphorus copper gold-plated/Brass copper gold-plated
Molding material :	TPU/PVC
Insulation impedance :	$\geq 100 \text{ M}\Omega$
Contact impedance :	$\leq 5 \text{ m}\Omega$
Durability :	$\geq 500$ Cycles
Applicable temperature :	-25°C ~ +80°C
Waterproof grade :	IP65/IP67
Execution standard :	IEC 61076-2-104

## DATASHEET



## WIRE DEFINITION

芯位 Pins	线芯颜色 Wire core color
3芯(Pins)	
1	BN
2	-
3	BU
4	BK

芯位 Pins	线芯颜色 Wire core color	
	4芯A编码(4 Pins A-Code)	4芯D编码(4 Pins D-Code)
1	BN	YE
2	WH	WH
3	BU	OG
4	BK	BU

芯位 Pins	线芯颜色 Wire core color			
	5芯A编码(5 Pins A-Code)		5芯B编码(5 Pins B-Code)	
1	BN	BN		
2	WH	WH		
3	BU	BU		
4	BK	BK		
5	GY	GY		

芯位 Pins	线芯颜色 Wire core color
6芯(Pins)	
1	BN
2	WH
3	BU
4	BK
5	GY
6	PK

芯位 Pins	线芯颜色 Wire core color
8芯(Pins)	
1	WH
2	BN
3	GN
4	YE
5	GY
6	PK
7	BU
8	RD

\*接线定义按常规标准，如按协议或者其他请联系我司业务。

Wiring definition according to conventional standards, if according to the agreement or other please contact our sales.

## ELECTRICAL PARAMETERS

芯数 Pins	针型 Male			额定电流 Rated current	额定电压 Rated voltage		导体规格 Conductor size		孔型 Female		
	A	B	D		A/C	D/C	AWG	mm <sup>2</sup>	A	B	D
3				3A	60V	60V	24	0.25			
4				A型(A-Code): 3A D型(D-Code): 4A	A型(A-Code): 60V D型(D-Code): 48V	60V	24	0.25			
5				3A	30V	30V	24	0.25			
6				A型(A-Code): 1.5A D型(D-Code): 1.5A/3A	30V	30V	26	0.14			
8				1.5A	30V	30V	26	0.14			

## Ordering products

Product Name	Part No.-Shielded	Part No.-Unshielded	Pins	3D Download	2D Download
M8 Female 1to2 Overmolded Plug-3A Pin-xxMeters-PVC Jacket	M8-S3A-MWA-1PV-S-1T2	M8-S3A-MWA-1PV-1T2	3A		
M8 Female 1to2 Overmolded Plug-4A Pin-xxMeters-PVC Jacket	M8-S4A-MWA-1PV-S-1T2	M8-S4A-MWA-1PV-1T2	4A		
M8 Female 1to2 Overmolded Plug-5B Pin-xxMeters-PVC Jacket	M8-S5B-MWA-1PV-S-1T2	M8-S5B-MWA-1PV-1T2	5B		
M8 Female 1to2 Overmolded Plug-6A Pin-xxMeters-PVC Jacket	M8-S6A-MWA-1PV-S-1T2	M8-S6A-MWA-1PV-1T2	6A		
M8 Female 1to2 Overmolded Plug-8A Pin-xxMeters-PVC Jacket	M8-S8A-MWA-1PV-S-1T2	M8-S8A-MWA-1PV-1T2	8A		

\*If need to choose other wires, please consult customer service.

## Data Download

Product Catalog	<a href="#">CAZN-M Series products brochure</a>
EMC Certification	<a href="#">View</a>
RoHS Report	<a href="#">View</a>
European Standard Series-EMC Certificate	<a href="#">View</a>