

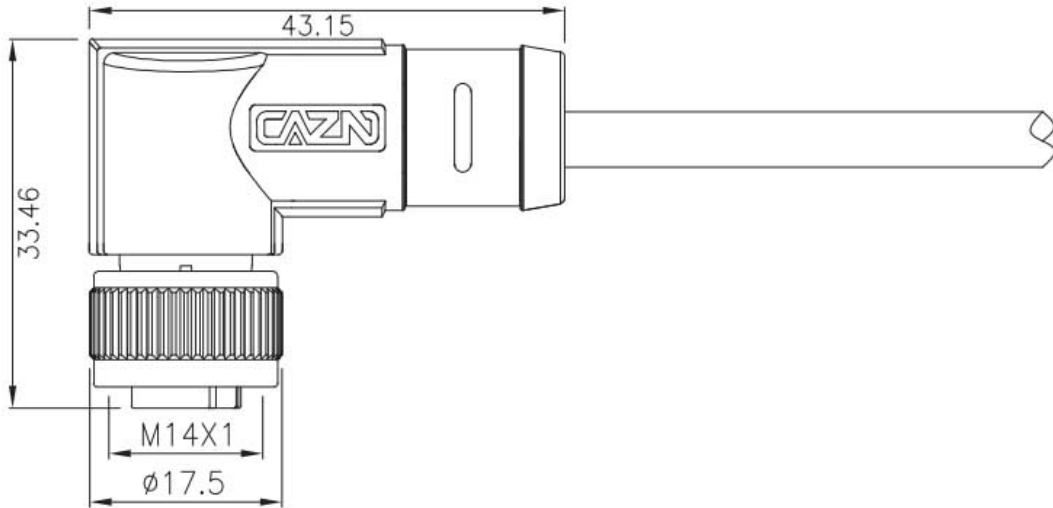


- European standard connector M14 series
- Structure type: overmolded curved plug
- Pin type: female type
- Contacts number: 2,3,4,5,8,12,14,19pins
- Connection method: solder
- Shield: Yes/No two option
- Certification: CE,ROHS,UL ,
- Standard: IEC 61076-2-101

Technical Parameter

Shell material	Brass nickel plating/Zinc alloy nickel/PA+GF
Insulator material	PA66
Sealing material	Epoxy resin/Rubber
Contact material	Brass /Phosphorus copper gold-plated
Molding material	TPU/PVC
Insulation impedance	$\geq 100 \text{ m } \Omega$
Contact impedance	$\leq 5 \text{ m } \Omega$
Durability	≥ 500 cycles
Applicable temperature	-25 °C~+80 °C
Waterproof	IP65/IP67
Executive standard	IPC-A-620

Dimension



Wiring Definition

芯位 Pins	线芯颜色 Wire core color	
	18芯(Pins)	
1	OGWH	
2	BUWH	
3	GNWH	
4	BN	
5	BU	
6	WH	
7	GN	
8	PK	
9	YE	
10	BK	
11	GY	
12	RD	
13	VT	
14	OG	
15	LTGN	
16	LTBU	
17	BKWH	
18	BNWH	

Electrical parameter

芯数 Pins	针型 Male	额定电流 Ratedcurrent	额定电压 Rated voltage		导体规格 Conductor size		孔型 Female
			A/C	D/C	AWG	mm ²	
5		12A	630V	630V	16	1.5	
8		5A	60V	60V	16	1.5	
10		5A	60V	60V	16	1.5	
12		2A/5A	30V	250V	16	1.5	
14		1A/5A	30V	250V	26/22	1.0/1.3	
16		1A/5A	30V	250V	26/22	1.0/1.3	
18		1A/5A	30V	250V	26/22	1.0/1.3	

Ordering products

Product name	Product number	3D Download	2D Download
M14 angled female overmolded plug 18 pin PVC	M14-S18-MWD-xxPV		
M14 angled female overmolded plug 18 pin PU	M14-S18-MWD-xxPU		
M14 angled female overmolded plug 18 pin TF	M14-S18-MWD-xxTF		
M14 angled female overmolded plug 18 pin PE	M14-S18-MWD-xxPE		

Data Download

Product Catalog	CAZN-M-SERIE-CONNECTOR
EMC	EMC Certificate
RoHS	RoHS Certificate