

[M623 Signal Straight Male Socket \(Crimp, Mount hole 19.8x19.8\)](#)



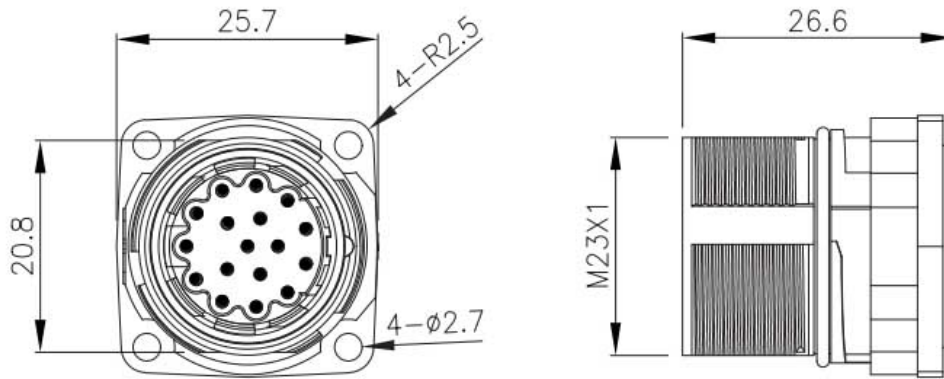
- European standard connector M23 series, Signal type
- Structure type: Straight Square Flange Socket
- Pin type: Male
- Contacts number: 6, 7, 9, 12, 17 pins
- Connection method: Crimp
- Shield: Yes
- Certification: CE,RoHS,UL ,

MECHANICAL PARAMETERS

Shell material :	Brass nickel-plated
Insulator material :	PBT/PA66
Sealing material :	Epoxy resin/Rubber
Contact material :	Brass/Phosphorus copper gold-plated
Molding material :	TPU/PVC
Wiring range :	6~10mm
Contact impedance :	≤5 mΩ
Durability :	≥500 Cycles
Applicable temperature :	-40°C ~ +125°C
Waterproof grade :	IP67

M623 Signal Straight Male Socket (Crimp, Mount hole 19.8x19.8)

DATASHEET



M623 WIRE DEFINITION

芯位 Pins	线芯颜色 Wire core color	导体规格 Conductor size
6芯(Pins)		
1	BK U	1.5mm ²
2	BN V	1.5mm ²
3	GN YE	1.5mm ²
4	BK	1.5mm ²
5	WH	1.5mm ²
6	BN K	1.5mm ²

芯位 Pins	线芯颜色 Wire core color	导体规格 Conductor size
8芯(Pins)		
1	BK 1	1.5mm ²
PE	GN YE	1.5mm ²
3	BK 2	1.5mm ²
4	BK 3	1.5mm ²
A	BK 5	0.75mm ²
B	BK 6	0.75mm ²
C	BK 7	0.75mm ²
D	BK 8	0.75mm ²

芯位 Pins	线芯颜色 Wire core color	导体规格 Conductor size
12芯(Pins)		
1	PK	0.25mm ²
2	RD	0.25mm ²
3	BK	0.25mm ²
4	BU	0.25mm ²
5	BN	0.25mm ²
6	GN	0.25mm ²
7	VT	0.25mm ²
8	GY	0.25mm ²
9	外部护套	(Outer sheath)
10	WH	0.5mm ²
11	NC	
12	BN	0.5mm ²

芯位 Pins	线芯颜色 Wire core color	导体规格 Conductor size
17芯(Pins)		
1	YE	0.14mm ²
2	GN	0.14mm ²
3	RD	0.14mm ²
4	NC	
5	BU	0.14mm ²
6	NC	
7	BNBU	0.5mm ²
8	GNBK	0.22mm ²
9	GNRD	0.22mm ²
10	BNRD	0.5mm ²
11	BK	0.14mm ²
12	BN	0.14mm ²
13	OG	0.14mm ²
14	WHBK	0.14mm ²
15	BNGY	0.22mm ²
16	BNYE	0.22mm ²
17	内部护套	(Inner sheath)

*接线定义按常规标准，如按协议或者其他请联系我司业务。

Wiring definition according to conventional standards, if according to the agreement or other please contact our sales.

M623 SIGNAL TYPE ELECTRICAL PARAMETERS

[M623 Signal Straight Male Socket \(Crimp, Mount hole 19.8x19.8\)](#)

芯数 Pins	P型 P-code	额定电流 Rated current	额定电压 Rated voltage		导体规格 Conductor size		E型 E-code
			A/C	D/C	AWG	mm ²	
6		20A	300V	300V	14	2.5	
7		20A	300V	300V	14	2.5	
9		8A	150V	150V	16	1.5	
9P(8+1)		8A/20A	300V	150V	16/14	1.5/2.5	
12		8A	150V	150V	18	1	
17		8A	150V	150V	18	1	

Ordering products

Product Name	Part No.-(P Code)	Part No.-(E Code)	Pins	3D Download	2D Download
M623 Signal Straight Male Socket-Crimp-Mount hole 19.8x19.8-6Pin	M623-P6P-GCH	M623-P6E-GCH	6		
M623 Signal Straight Male Socket-Crimp-Mount hole 19.8x19.8-7Pin	M623-P7P-GCH	M623-P7E-GCH	7		
M623 Signal Straight Male Socket-Crimp-Mount hole 19.8x19.8-9Pin	M623-P9P-GCH	M623-P9E-GCH	9		
M623 Signal Straight Male Socket-Crimp-Mount hole 19.8x19.8-8+1Pin	M623-P9PP-GCH	M623-P9PE-GCH	8+1		
M623 Signal Straight Male Socket-Crimp-Mount hole 19.8x19.8-12Pin	M623-P12P-GCH	M623-P12E-GCH	12		
M623 Signal Straight Male Socket-Crimp-Mount hole 19.8x19.8-17Pin	M623-P17P-GCH	M623-P17E-GCH	17		

Data Download

[M623 Signal Straight Male Socket \(Crimp, Mount hole 19.8x19.8\)](#)



Product catalog	CAZN-M Series products brochure
Certification/Report	EMC Certificate
RoHS Report	查看 View
Waterproof test report	查看 View