

Angled M623 Signal Male Square Assembled Socket (Crimp, Mount hole 19.8x19.8)



- European standard connector M23 series, Signal type
- Structure type: Angled Square Flange Socket
- Pin type: Male
- Contacts number: 6, 7, 9, 12, 17 pins
- Connection method: Crimp
- Shield: Yes
- Certification: CE,RoHS,UL ,

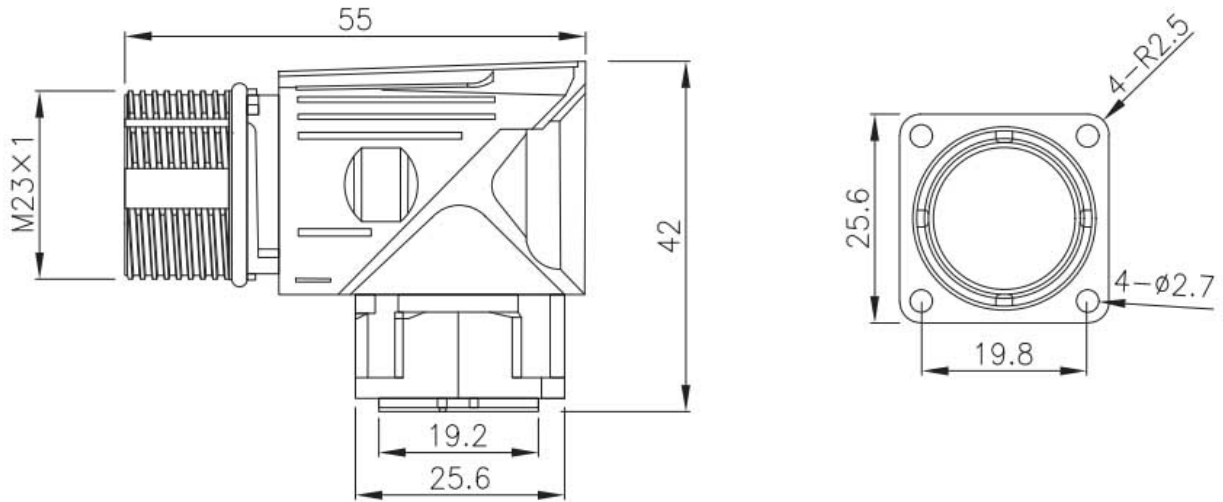
MECHANICAL PARAMETERS

Shell material :	Brass nickel-plated
Insulator material :	PBT/PA66
Sealing material :	Epoxy resin/Rubber
Contact material :	Brass/Phosphorus copper gold-plated
Molding material :	TPU/PVC
Wiring range :	6~10mm
Contact impedance :	≤5 mΩ
Durability :	≥500 Cycles
Applicable temperature :	-40°C ~ +125°C
Waterproof grade :	IP67

Angled M623 Signal Male Square Assembled Socket (Crimp, Mount hole 19.8x19.8)



DATASHEET



M623 WIRE DEFINITION

芯位 Pins	线芯颜色 Wire core color	导体规格 Conductor size
6芯(Pins)		
1	BK U	1.5mm ²
2	BN V	1.5mm ²
3	GN YE	1.5mm ²
4	BK	1.5mm ²
5	WH	1.5mm ²
6	BN K	1.5mm ²

芯位 Pins	线芯颜色 Wire core color	导体规格 Conductor size
8芯(Pins)		
1	BK 1	1.5mm ²
PE	GN YE	1.5mm ²
3	BK 2	1.5mm ²
4	BK 3	1.5mm ²
A	BK 5	0.75mm ²
B	BK 6	0.75mm ²
C	BK 7	0.75mm ²
D	BK 8	0.75mm ²

芯位 Pins	线芯颜色 Wire core color	导体规格 Conductor size
12芯(Pins)		
1	PK	0.25mm ²
2	RD	0.25mm ²
3	BK	0.25mm ²
4	BU	0.25mm ²
5	BN	0.25mm ²
6	GN	0.25mm ²
7	VT	0.25mm ²
8	GY	0.25mm ²
9	外部护套	(Outer sheath)
10	WH	0.5mm ²
11	NC	
12	BN	0.5mm ²

芯位 Pins	线芯颜色 Wire core color	导体规格 Conductor size
17芯(Pins)		
1	YE	0.14mm ²
2	GN	0.14mm ²
3	RD	0.14mm ²
4	NC	
5	BU	0.14mm ²
6	NC	
7	BNBU	0.5mm ²
8	GNBK	0.22mm ²
9	GNRD	0.22mm ²
10	BNRD	0.5mm ²
11	BK	0.14mm ²
12	BN	0.14mm ²
13	OG	0.14mm ²
14	WHBK	0.14mm ²
15	BNGY	0.22mm ²
16	BN YE	0.22mm ²
17	内部护套	(Inner sheath)

*接线定义按常规标准，如按协议或者其他请联系我司业务。

Wiring definition according to conventional standards, if according to the agreement or other please contact our sales.

M623 SIGNAL TYPE ELECTRICAL PARAMETERS

Angled M623 Signal Male Square Assembled Socket (Crimp, Mount hole 19.8x19.8)



芯数 Pins	P型 P-code	额定电流 Rated current	额定电压 Rated voltage		导体规格 Conductor size		E型 E-code
			A/C	D/C	AWG	mm ²	
6		20A	300V	300V	14	2.5	
7		20A	300V	300V	14	2.5	
9		8A	150V	150V	16	1.5	
9P(8+1)		8A/20A	300V	150V	16/14	1.5/2.5	
12		8A	150V	150V	18	1	
17		8A	150V	150V	18	1	

Ordering products

Product Name	Part No.-(P Code)	Part No.-(E Code)	Pins	3D Download	2D Download
Angled M623 Signal Male Square Assembled Socket-Crimp-Mount hole 19.8x19.8-6Pin	M623-P6P-GCL	M623-P6E-GCL	6		
Angled M623 Signal Male Square Assembled Socket-Crimp-Mount hole 19.8x19.8-7Pin	M623-P7P-GCL	M623-P7E-GCL	7		
Angled M623 Signal Male Square Assembled Socket-Crimp-Mount hole 19.8x19.8-9Pin	M623-P9P-GCL	M623-P9E-GCL	9		
Angled M623 Signal Male Square Assembled Socket-Crimp-Mount hole 19.8x19.8-8+1Pin	M623-P9PP-GCL	M623-P9PE-GCL	8+1		
Angled M623 Signal Male Square Assembled Socket-Crimp-Mount hole 19.8x19.8-12Pin	M623-P12P-GCL	M623-P12E-GCL	12		
Angled M623 Signal Male Square Assembled Socket-Crimp-Mount hole 19.8x19.8-17Pin	M623-P17P-GCL	M623-P17E-GCL	17		

Data Download

Product catalog	CAZN-M Series products brochure
-----------------	---------------------------------

[Angled M623 Signal Male Square Assembled Socket \(Crimp,
Mount hole 19.8x19.8\)](#)



Certification/Report	EMC Certificate
RoHS Report	查看 View
Waterproof test report	查看 View