

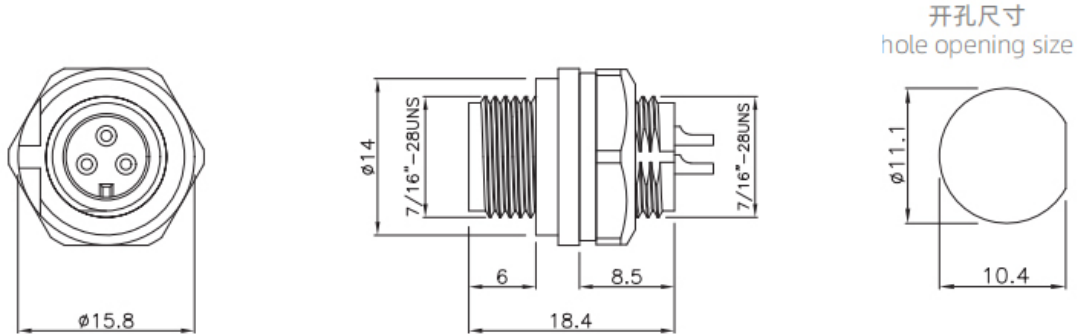


- Plastic Waterproof Connector/ E7 series
- Type: front mount socket
- Gender: Male
- Coupling : Thread (T)
- Termination: Solder
- Number of cores: 2,3,4,5,6 pins
- Shielded: No,
- Certification: CE RoHS

Mechanical parameter

Shell material:	Thermoplastic plastic PA66, flame retardant grade: V-0
Contact material:	Brass/Phosphor copper gold-plated
Sealing material:	Epoxy resin/rubber
Coupling:	Thread (T); Bayonet(B)
Termination Way:	Solder
Contact impedance:/td>	≤5mΩ
Durability:	≥500(Cycles)
Insulation resistance:	≥100mΩ
Applicable temperature:	-25°C ~ +105°C
Cable diameter:	3.5mm~6.8mm
Waterproof grade:	IP67 , IP68
Screw size	7/16"-28UNS

Dimensions



Electrical parameters

芯数排列及技术参数 PINS ARRANGEMENT & TECHNICAL PARAMETERS					
芯数 Pins	2	3	4	5	6
芯位排布 Pins arrangement					
规格 SPECIFICATIONS					
芯数 Pins	2	3	4	5	6
线规 Wire gauge	0.519mm ² (20AWG)			0.34mm ² (20AWG)	
引脚类型 Pin type	φ1.0mm			φ0.8mm	
接线范围 Wiring range	3.5mm~6.8mm				
防水等级 Waterproof grade	IP67/IP68				
插拔次数 Durability	500				
适应温度 Applicable temperature	-45°C~105°C				
额定电压 Rated voltage	125V	125V	60V	60V	60V
额定电流 Rated current	5A	5A	2A	2A	2A

Ordering products

Product Name	Rated Voltage	Rated Current	Pins	P/N	3D Download	2D Download
E7 Male Front Mount Socket(Threaded)	125V	5A	2	E7T-P2-PWB	↓	↓
E7 Male Front Mount Socket(Threaded)	125V	5A	3	E7T-P3-PWB	↓	↓
E7 Male Front Mount Socket(Threaded)	60V	2A	4	E7T-P4-PWB	↓	↓

E7 Male Front Mount Socket(Threaded)



E7 Male Front Mount Socket(Threaded)	60V	2A	5	E7T-P5-PWB	↓	↓
E7 Male Front Mount Socket(Threaded)	60V	2A	6	E7T-P6-PWB	↓	↓

Data Download

Product Catalog	CAZN-Plastic Waterproof Connector brochures
EMC	EMC Report 、 EMCReport 、 REACH233Report
RoHS	Certificate 、 Report
Waterproof test report	Certificate 、 Report