

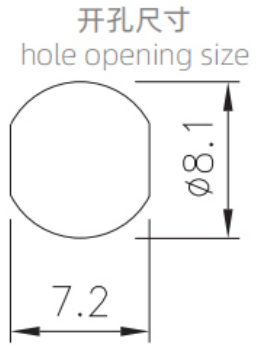
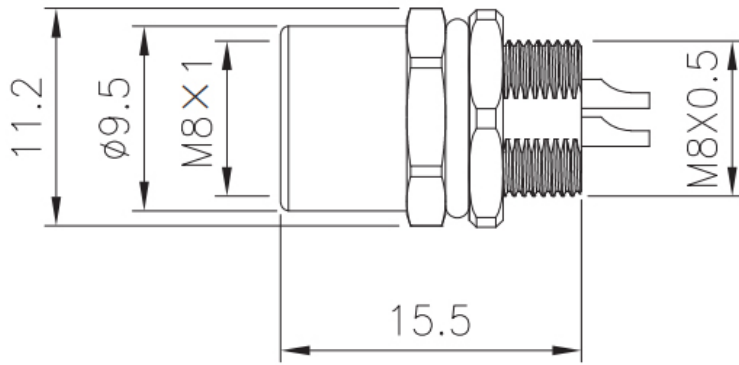


- European standard Connectors M8 Series ,
- Structure type: Front Mount Socket ,
- Connection method : Solder ,
- Pin type : Female ,
- Contacts number : 3,4,5,6,8 pin ,
- Shield: No ,
- Certification : CE,RoHS,UL ,
- Standard : IEC 61076-2-104 ,

MECHANICAL PARAMETERS

Shell material :	Brass nickel plated
Insulator material :	PA66
Sealing material :	Epoxy resin/Rubber
Contact material :	Phosphorus copper gold-plated/Brass copper gold-plated
Molding material :	TPU/PVC
Insulation impedance :	$\geq 100 \text{ M}\Omega$
Contact impedance :	$\leq 5 \text{ m}\Omega$
Durability :	≥ 500 Cycles
Applicable temperature :	-25°C ~ +80°C
Waterproof grade :	IP65/IP67
Execution standard :	IEC 61076-2-104

DATASHEET



WIRE DEFINITION

芯位 Pins	线芯颜色 Wire core color
3芯(Pins)	
1	BN
2	-
3	BU
4	BK

芯位 Pins	线芯颜色 Wire core color	
	4芯A编码(4 Pins A-Code)	4芯D编码(4 Pins D-Code)
1	BN	YE
2	WH	WH
3	BU	OG
4	BK	BU

芯位 Pins	线芯颜色 Wire core color			
	5芯A编码(5 Pins A-Code)		5芯B编码(5 Pins B-Code)	
1	BN		BN	
2	WH		WH	
3	BU		BU	
4	BK		BK	
5	GY		GY	

芯位 Pins	线芯颜色 Wire core color
6芯(Pins)	
1	BN
2	WH
3	BU
4	BK
5	GY
6	PK

芯位 Pins	线芯颜色 Wire core color
8芯(Pins)	
1	WH
2	BN
3	GN
4	YE
5	GY
6	PK
7	BU
8	RD

*接线定义按常规标准，如按协议或者其他请联系我司业务。
Wiring definition according to conventional standards, if according to the agreement or other please contact our sales.

ELECTRICAL PARAMETERS

M8 Female Front Mount Socket(Solder, Screw M8*0.5)



芯数 Pins	针型 Male			额定电流 Rated current	额定电压 Rated voltage		导体规格 Conductor size		孔型 Female		
	A	B	D		A/C	D/C	AWG	mm ²	A	B	D
3				3A	60V	60V	24	0.25			
4				A型(A-Code): 3A D型(D-Code): 4A	A型(A-Code): 60V D型(D-Code): 48V	60V	24	0.25			
5				3A	30V	30V	24	0.25			
6				A型(A-Code): 1.5A D型(D-Code): 1.5A/3A	30V	30V	26	0.14			
8				1.5A	30V	30V	26	0.14			

Ordering products

Product Name	Screw	Structure	Pins	Product No.	3D Download	2D Download
M8 Female Front Mount Socket-3A Pin	M8x0.5	Solder	3A	M8-S3A-GWB M8		
M8 Female Front Mount Socket-4A Pin	M8x0.5	Solder	4A	M8-S4A-GWB M8		
M8 Female Front Mount Socket-4D Pin	M8x0.5	Solder	4D	M8-S4D-GWB M8		
M8 Female Front Mount Socket-5B Pin	M8x0.5	Solder	5B	M8-S5B-GWB M8		
M8 Female Front Mount Socket-6A Pin	M8x0.5	Solder	6A	M8-S6A-GWB M8		
M8 Female Front Mount Socket-8A Pin	M8x0.5	Solder	8A	M8-S8A-GWB M8		

Data Download

Product Catalog	CAZN-M Series products brochure
EMC Certification	View
RoHS Report	View
European Standard Series-EMC Certificate	View