

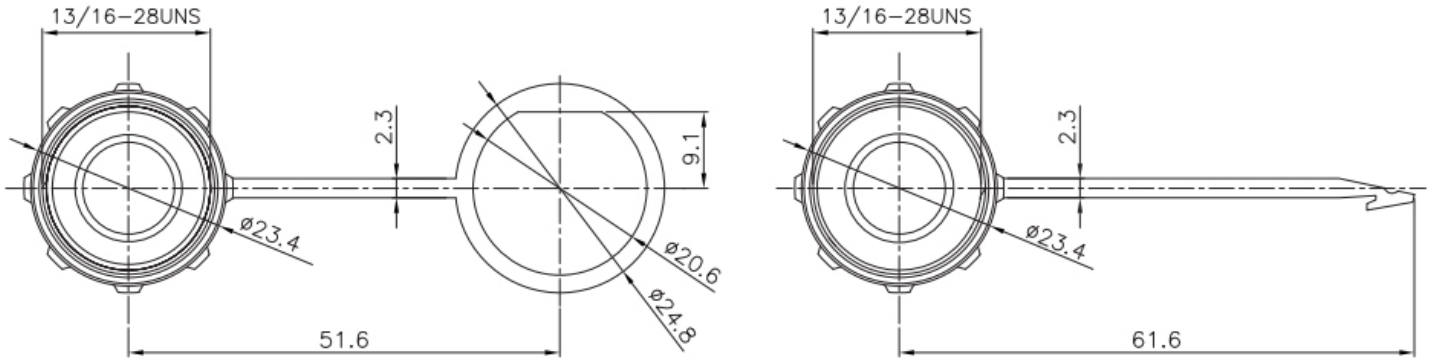


- Plastic Waterproof Connector E13HDMI series,
- Type: Front/Back Mount(Threaded)
- Dust cover Type: Single trimming/insert type connecting tape,
- Certification: CE/RoHS.

Mechanical parameter

Shell material :	Thermoplastic plastic PA66, flame retardant grade: V-0
Coupling :	Threaded (T)
Durability :	≥50000次
Applicable temperature :	-40°C ~ +105°C
Waterproof grade:	IP67 , IP68
Specifications:	13/16" -28UNS

Dimension



Ordering products

Product Name	Coupling	Installation	screw	P/N	3D Download	2D Download
E13 dust cover	Threaded	Round Hole	13/16"-28UNS	E13T-VP-ST		
E13 dust cover	Threaded	Latch	13/16"-28UNS	E13T-VP-PI		
E13 dust cover	Bayonet	Round Hole	13/16"-28UNS	E13B-VP-ST		
E13 dust cover	Bayonet	Latch	13/16"-28UNS	E13B-VP-PI		

Data Download

Product Catalog	CAZN-Plastic Waterproof Connector brochures
EMC	EMC Report 、 EMCReport 、 REACH233Report
RoHS	Certificate 、 Report
Waterproof test report	Certificate 、 Report