

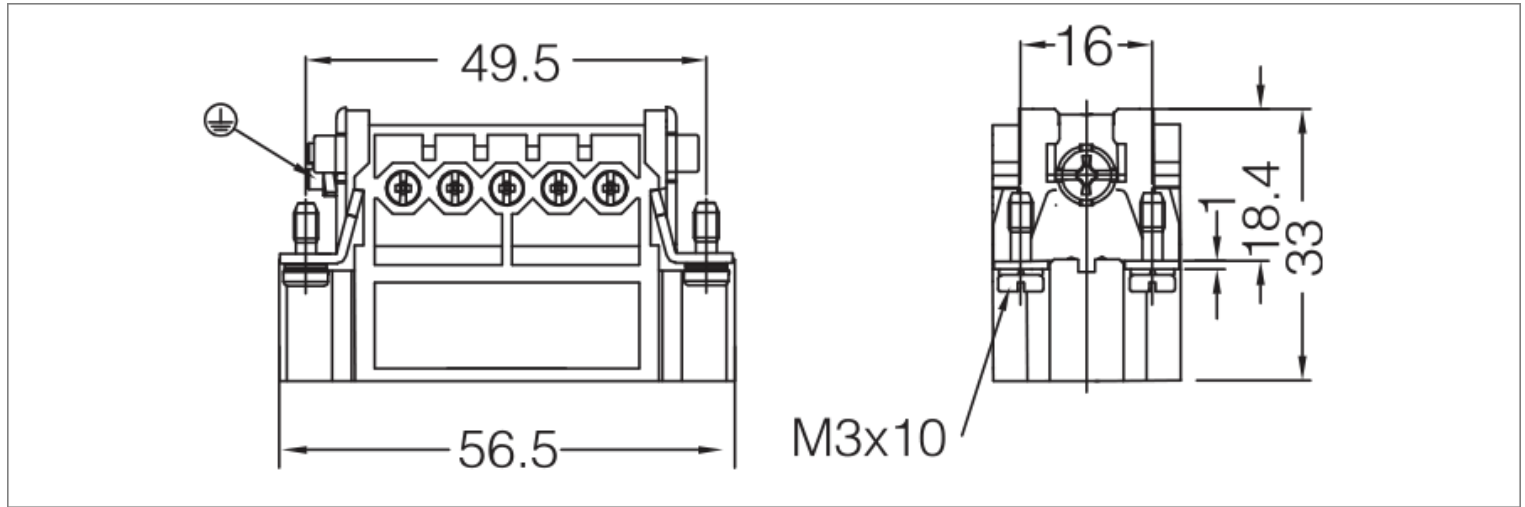


- Heavy Duty Connector - Insert,
- Series: HA Series ,
- Pin type: male,
- Wiring method: screw type,
- Number of cores: 10 score,
- Certification: CE RoHS,

## Technical Parameters

Specification:	DIN EN 60 664 / DIN EN 61 984
Rated current :	10A
Relative rated voltage:	230V / 250V
Rated voltage between phases:	400V
Rated pulse voltage:	4kV
Degree of pollution:	3
Rated voltage according to UL/CSA:	600V
Insulation resistance :	$\geq 10^{10}\Omega$
Material :	聚碳酸酯 Polycarbonate / 铜合金 Copper Alloy
Operating temperature range :	-40°C~ +125°C
Flame retardant grade :	V0
Unpluggable times :	$\geq 500$
Surface treatment :	镀金 Hard-gold Plated / 镀银 Hard-silver Plated
Contact resistance :	$\leq 1m\Omega$
Wire specification(AWG) :	1.0-2.5mm <sup>2</sup> (18-14)
Tightening moment :	0.25Nm

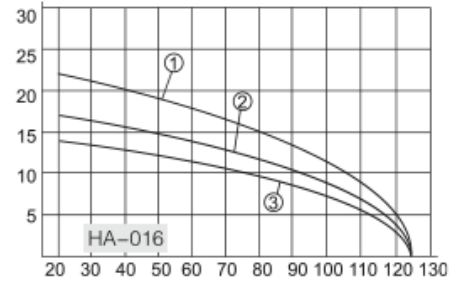
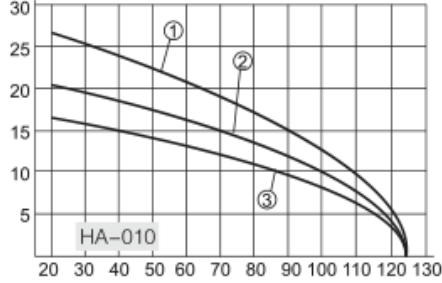
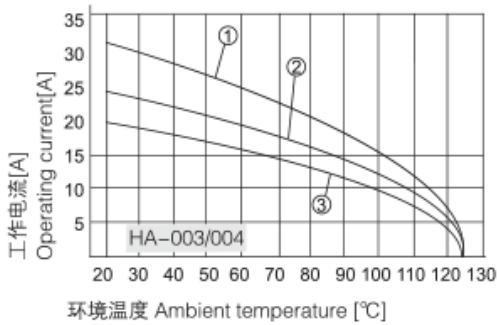
### Dimensions



### Current carrying capacity

电流负载能力所受的限制主要来自包含接插针的接插体可承受的最大温度  
 The current carrying is limited by maximum temperature of materials for Inserts and contacts including terminals.  
 测试和控制过程依据 Measuring and testing techniques according to DIN EN 60512-5

①线径 Wire gauge: 2.5mm<sup>2</sup>    ②线径 Wire gauge: 1.5mm<sup>2</sup>    ③线径 Wire gauge: 1.0mm<sup>2</sup>



### Ordering products

TYPE	NAME	Rated voltage	Rated current	Contacts numebr	3D UPLOAD	2D UPLOAD
HA-010-M	HA Small insert Screw 10+PE Male	230V	16A	10+PE	<input type="checkbox"/>	<input type="checkbox"/>
HA-010-F	HA Small insert Screw 10+PE Female	230V	16A	10+PE	<input type="checkbox"/>	<input type="checkbox"/>

### Data Download

PRODUCT DIRECTORY	<a href="#">CAZN正成-重载连接器选型手册</a>
CERTIFICATION	<a href="#">EMC认证</a>
ROHS REPORT	<a href="#">查看</a>
WATERPROOF TEST REPORT	<a href="#">查看</a>