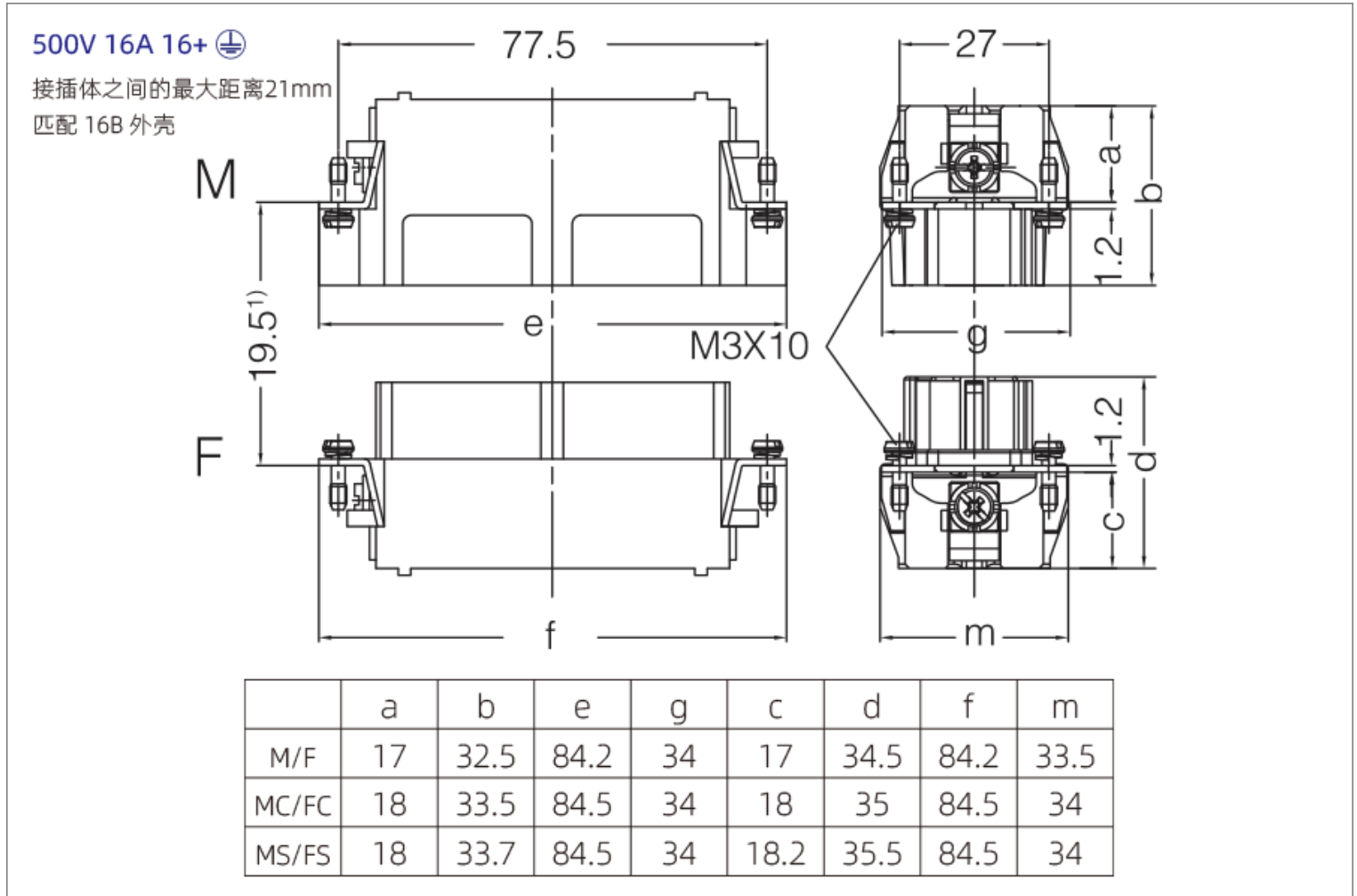


- Heavy duty connector - Insert,
- Series: HE series,
- Type of needle: male/female,
- Wiring mode: Cage-clamp type,
- Core number: 16 core,
- Certification: CE RoHS,

Technical Parameters

Specification :	DIN EN 60 664 / DIN EN 61 984
Rated current :	16A
Rated voltage :	500V
Rated pulse voltage :	6kV
Degree of pollution :	3
Parameters at contamination level 2 :	16A 400/690V 6kV 2
Rated voltage according to UL/CSA :	600V
Insulation resistance :	$\geq 10^{10}\Omega$
Material :	聚碳酸酯 Polycarbonate
Operating temperature :	-40°C~+125°C
Flame retardant grade :	V0
Unpluggable times :	≥ 500
Pin material :	铜合金 Copper Alloy
Surface treatment :	镀金 Hard-gold Plated / 镀银 Hard-silver Plated
Contact resistance :	$\leq 1m\Omega$

Dimensions



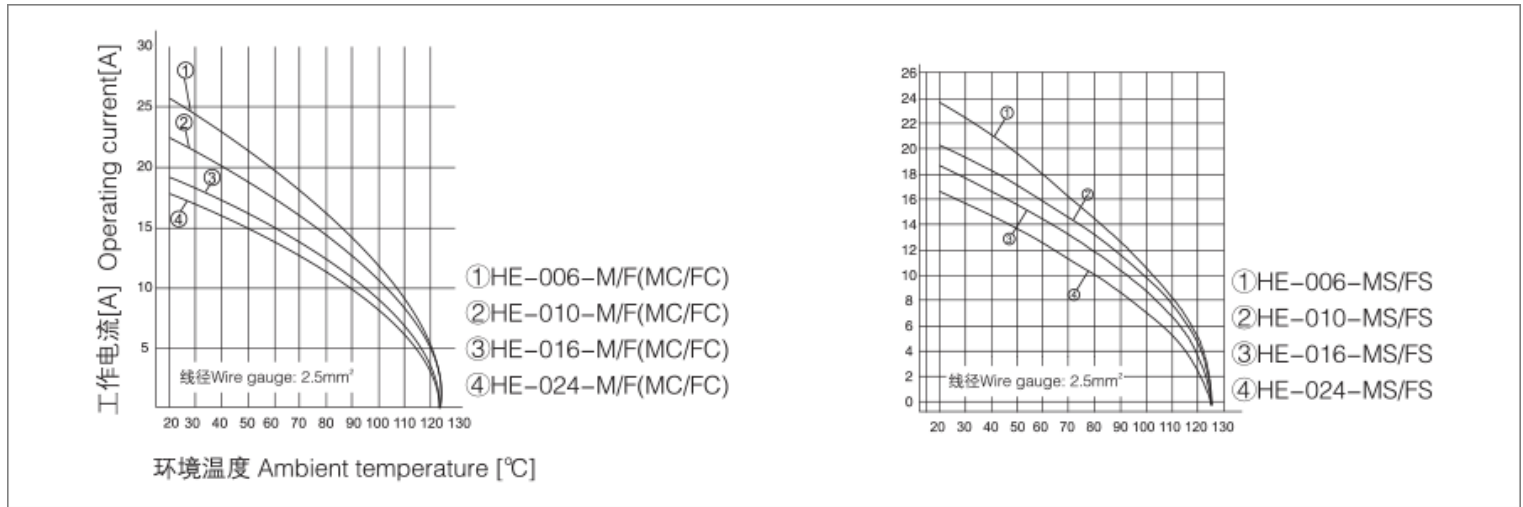
Connection mode

螺钉连接	
导线规格	0.14-2.5mm ²
AWG	26-14
拧紧力矩	0.5Nm
剥线长度	7.0mm

冷压连接	
导线规格	0.14-4.0mm ²
AWG	26-12
剥线长度	7.5mm

弹片连接	
导线规格	0.14-2.5mm ²
AWG	26-14
剥线长度	7-9mm

Current carrying capacity



Ordering products

TYPE	NAME	Rated voltage	Rated current	Contacts number	3d upload	2D upload
HE-016-M	HE Standard inserts Screw 16+PE Male	500V	16A	16+PE	↓	↓
HE-016-F	HE Standard inserts Screw 16+PE Female	500V	16A	16+PE	↓	↓
HE-016-MC	HE Standard inserts Crimp terminal 16+PE Male	500V	16A	16+PE	↓	↓
HE-016-FC	HE Standard inserts Crimp terminal 16+PE Female	500V	16A	16+PE	↓	↓
HE-016-MS	HE Standard inserts Cage-clamp 16+PE Male	500V	16A	16+PE	↓	↓
HE-016-FS	HE Standard inserts Cage-clamp 16+PE Female	500V	16A	16+PE	↓	↓

Data Download

PRODUCT DIRECTORY	CAZN正成-重载连接器选型手册
-------------------	----------------------------------

CERTIFICATION	EMC认证
ROHS REPORT	查看
WATERPROOF TEST REPORT	查看