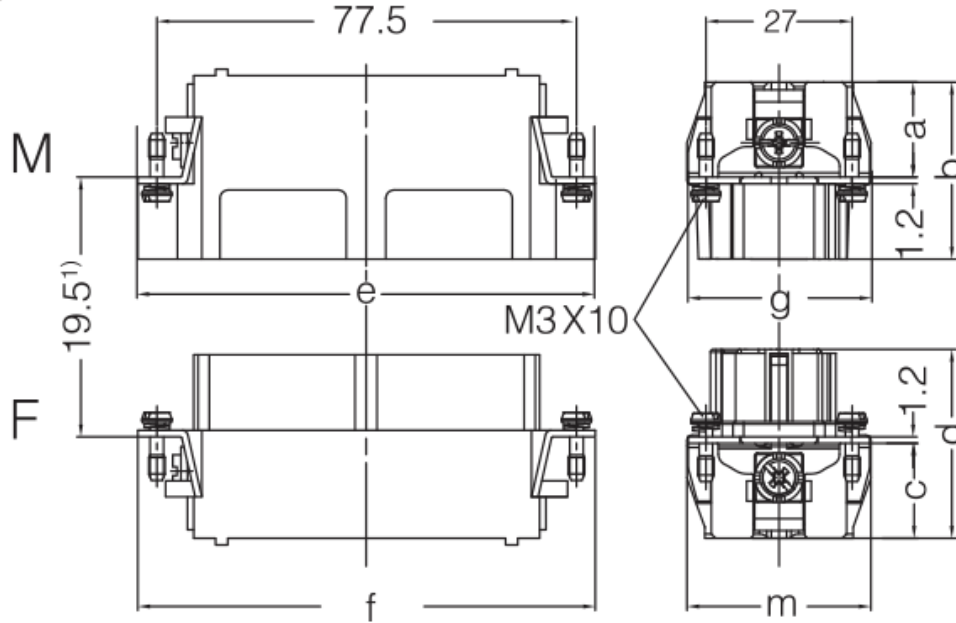


- Number OF Contacts:32+PE

Technical Parameters

Specification :	DIN EN 60 664 / DIN EN 61 984
Rated current :	16A
Rated voltage :	500V
Rated pulse voltage :	6kV
Degree of pollution :	3
Parameters at contamination level 2 :	16A 400/690V 6kV 2
Rated voltage according to UL/CSA :	600V
Insulation resistance :	$\geq 10^{10}\Omega$
Material :	聚碳酸酯 Polycarbonate
Operating temperature :	-40°C~ +125°C
Flame retardant grade :	V0
Unpluggable times :	≥ 500
Pin material :	铜合金 Copper Alloy
Surface treatment :	镀金 Hard-gold Plated / 镀银 Hard-silver Plated
Contact resistance :	$\leq 1m\Omega$

Dimensions

500V 16A 32+ 接插体之间的最大距离21mm
匹配 32B 外壳

	a	b	e	g	c	d	f	m
M/F	17	32.5	84.2	34	17	34.5	84.2	33.5
MC/FC	18	33.5	84.5	34	18	35	84.5	34
MS/FS	18	33.7	84.5	34	18.2	35.5	84.5	34

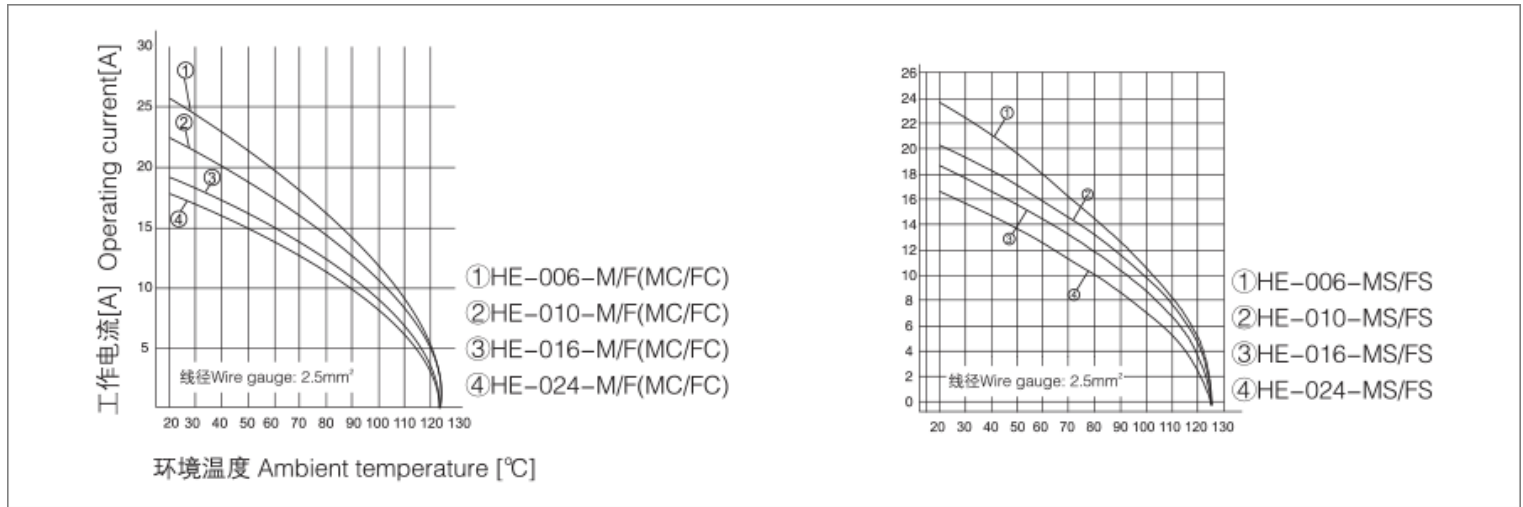
Connection mode

螺钉连接	
导线规格	0.14-2.5mm ²
AWG	26-14
拧紧力矩	0.5Nm
剥线长度	7.0mm

冷压连接	
导线规格	0.14-4.0mm ²
AWG	26-12
剥线长度	7.5mm

弹片连接	
导线规格	0.14-2.5mm ²
AWG	26-14
剥线长度	7-9mm

Current carrying capacity



Ordering products

TYPE	NAME	Rated voltage	Rated current	Contacts number	3D upload	2D upload
HE-016-M(1-16)	HE Standard inserts Screw terminal 32+PE Male(1-16)	500V	16A	32+PE	<input type="checkbox"/>	<input type="checkbox"/>
HE-016-M(17-32)	HE Standard inserts Screw terminal 32+PE Male (17-32)	500V	16A	32+PE	<input type="checkbox"/>	<input type="checkbox"/>
HE-016-F(1-16)	HE Standard inserts Screw terminal 32+PE Female(1-16)	500V	16A	32+PE	<input type="checkbox"/>	<input type="checkbox"/>
HE-016-F(17-32)	HE Standard inserts Screw terminal 32+PE Female(17-32)	500V	16A	32+PE	<input type="checkbox"/>	<input type="checkbox"/>
HE-016-MC(1-16)	HE Standard inserts Crimp terminal 32+PE Male(1-16)	500V	16A	32+PE	<input type="checkbox"/>	<input type="checkbox"/>
HE-016-MC(17-32)	HE Standard inserts Crimp terminal 32+PE Male(17-32)	500V	16A	32+PE	<input type="checkbox"/>	<input type="checkbox"/>
HE-016-FC(1-16)	HE Standard inserts Crimp terminal 32+PE Female(1-16)	500V	16A	32+PE	<input type="checkbox"/>	<input type="checkbox"/>
HE-016-FC(17-32)	HE Standard inserts Crimp terminal 32+PE Female(17-32)	500V	16A	32+PE	<input type="checkbox"/>	<input type="checkbox"/>

HE-016-MS(1-16)	HE Standard inserts Cage-slamp 32+PE Male(1-16)	500V	16A	32+PE	<input type="checkbox"/>	<input type="checkbox"/>
HE-016-MS(17-32)	HE Standard inserts Cage-slamp 32+PE Male(17-32)	500V	16A	32+PE	<input type="checkbox"/>	<input type="checkbox"/>
HE-016-FS(1-16)	HE Standard inserts Cage-slamp 32+PE Female(1-16)	500V	16A	32+PE	<input type="checkbox"/>	<input type="checkbox"/>
HE-016-FS(17-32)	HE Standard inserts Cage-slamp 32+PE Female(17-32)	500V	16A	32+PE	<input type="checkbox"/>	<input type="checkbox"/>

Data Download

PRODUCT DIRECTORY	CAZN正成-重载连接器选型手册
CERTIFICATION	EMC认证
ROHS REPORT	查看
WATERPROOF TEST REPORT	查看