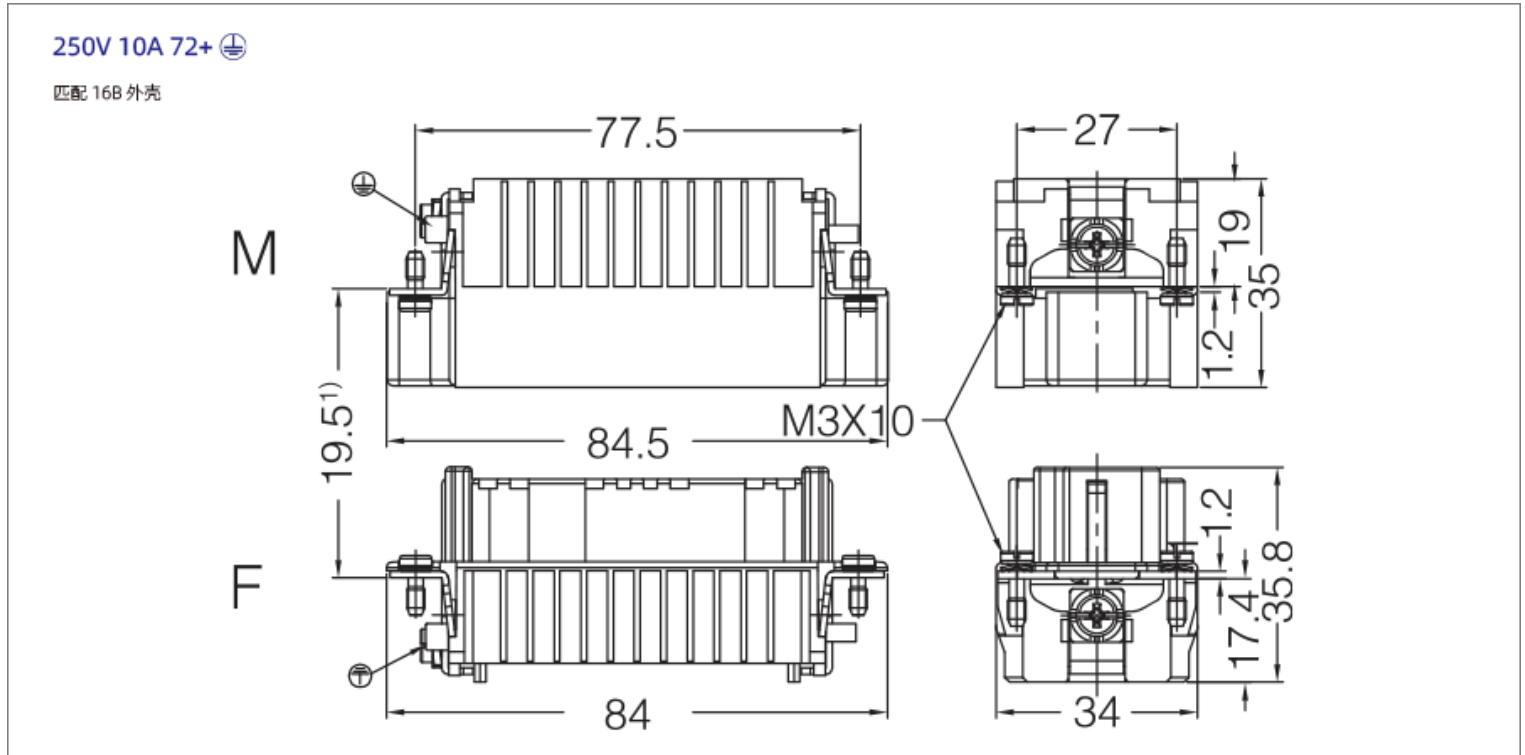


- Number of pins of connector: 72+PE
- Rated current: 10A
- Rated voltage: 250V
- Matching shell: 16B

Technical Parameters

Specification :	DIN EN 60 664 / DIN EN 61 984
Rated current :	10A
Rated voltage :	250V
Rated pulse voltage :	4kV
Degree of pollution :	3
Parameters at contamination level 2 :	10A 230/400V 4kV 2
Rated voltage according to UL/CSA :	600V
Insulation resistance :	$\geq 10^{10}\Omega$
Material :	聚碳酸酯 Polycarbonate
Operating temperature :	-40°C~ +125°C
Flame retardant grade :	V0
Unpluggable time :	≥ 500
Pin material :	铜合金 Copper Alloy
Surface treatment :	镀金 Hard-gold Plated / 镀银 Hard-silver Plated
Contact resistance :	$\leq 3m\Omega$

Dimensions



Connection mode

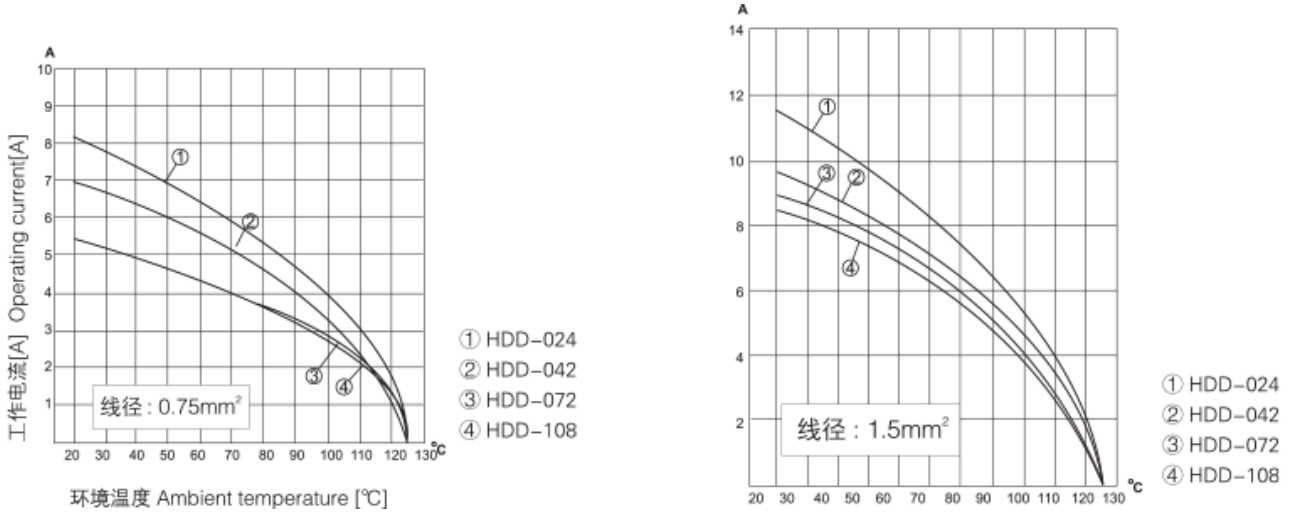
冷压连接	
导线规格	0.14-2.5mm ²
AWG	26-14

Current carrying capacity

Current carrying capacity

The current carrying is limited by maximum temperature of materials for inserts and contacts including terminals.

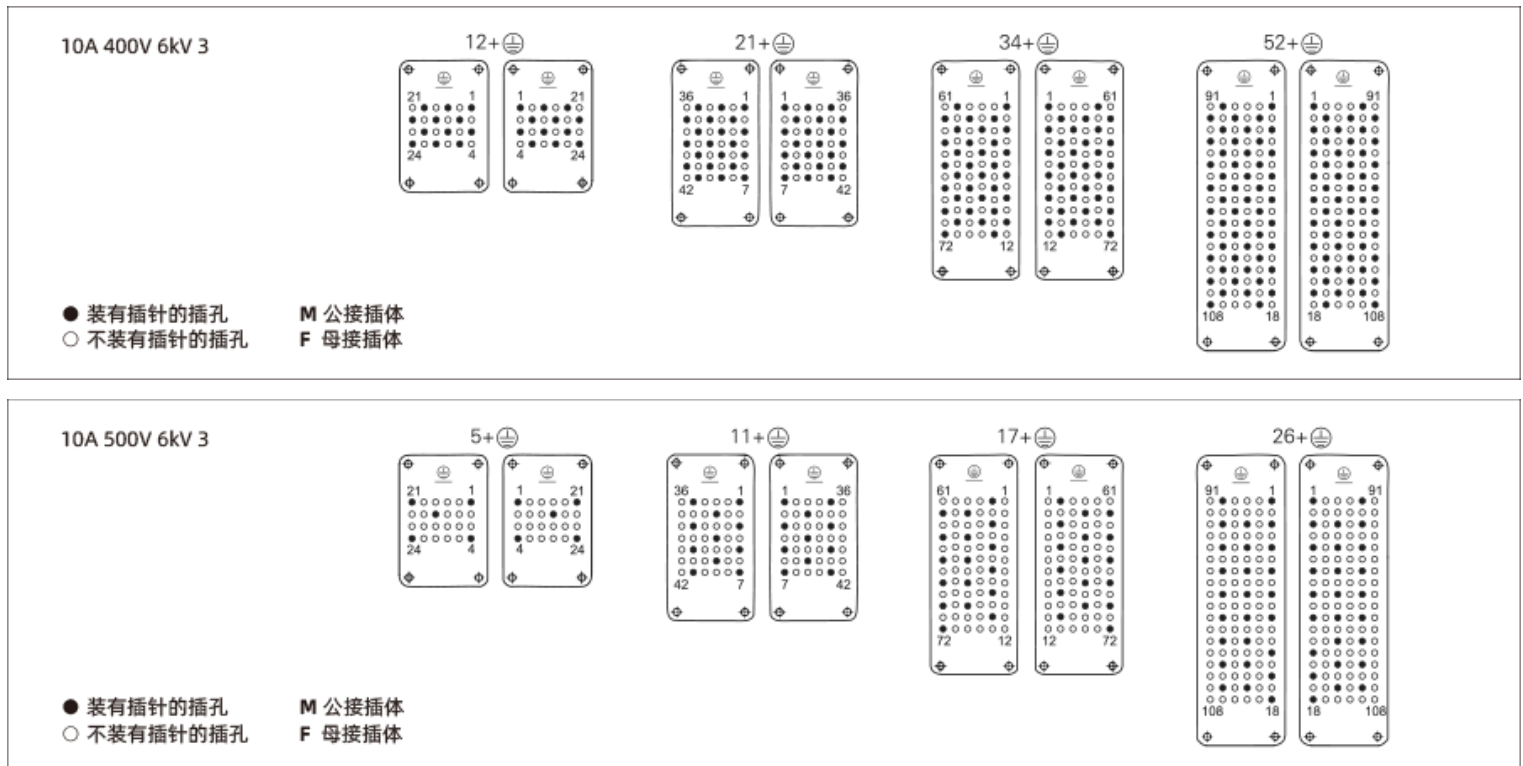
Measuring and testing techniques according to DIN EN 60512-5.



Modified contact arrangement up to 500V

The connector series HD equipped with all contacts may be used for voltage up to 25V~pollution degree 3. A modified contact loading arrangement permits use up to 500V Pollution degree also in pollution degree C.

Contact arrangement view from termination side



Ordering products

TYPE	NAME	Rated voltage	Rated current	Contacts number	3D upload	2D upload
------	------	---------------	---------------	-----------------	-----------	-----------

HDD-072-MCN	HEE Hight-Density Inserts Crimp terminal 72+PE Male	250V	10A	72+PE	<input type="checkbox"/>	<input type="checkbox"/>
HDD-072-FCN	HEE Hight-Density Inserts Crimp terminal 72+PE Female	250V	10A	72+PE	<input type="checkbox"/>	<input type="checkbox"/>

Data Download

PRODUCT DIRECTORY	CAZN正成-重载连接器选型手册
CERTIFICATION	EMC认证
ROHS REPORT	查看
WATERPROOF TEST REPORT	查看