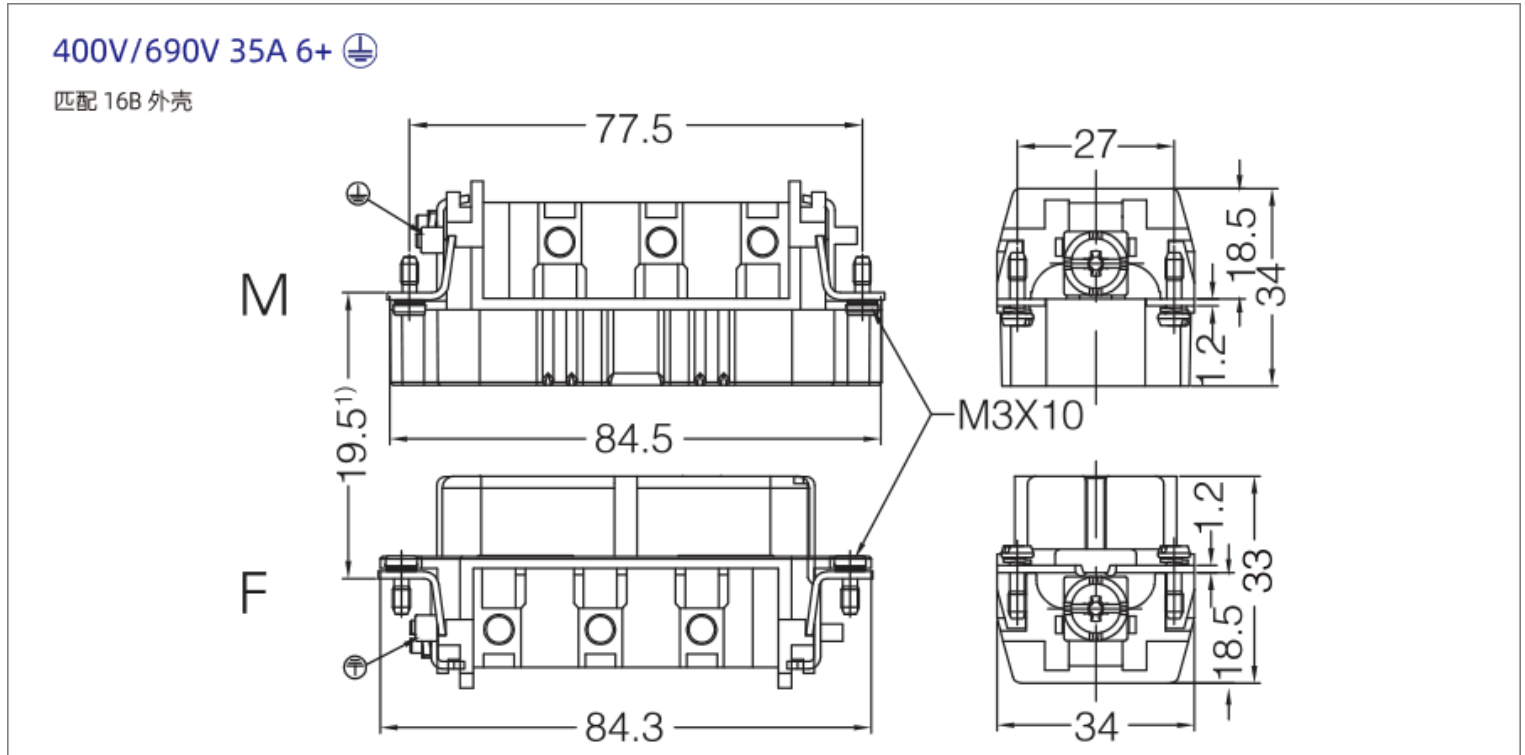


- Number of pins of connector: 6+PE
- Rated current: 35A
- Rated voltage: 400V/690V
- Matching shell: 16B

### Technical Parameters

Specification :	DIN EN 60 664 / DIN EN 61 984
Rated current :	35A
Relative rated voltage :	400V
Rated voltage between phase :	690V
Rated pulse voltage :	6kV
Degree of pollution :	3
Or :	35A 500V 6kV 3
Rated voltage according to UL/CSA :	600V
Insulation resistance :	$\geq 10^{10}\Omega$
Material :	聚碳酸酯 Polycarbonate
Operating temperature :	-40°C~ +125°C
Flame retardant grade :	V0
Unpluggable times :	$\geq 500$
Pin material :	铜合金 Copper Alloy
Surface treatment :	镀银 Hard-silver Plated
Contact resistance :	$\leq 1m\Omega$

## Dimensions



## Connection mode

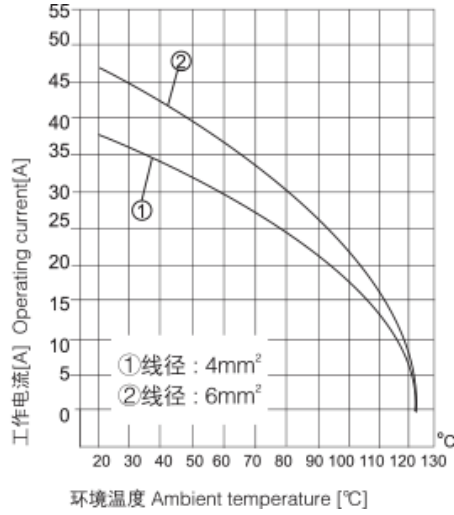
螺钉连接	
导线规格	6mm <sup>2</sup>
AWG	10
拧紧力矩	1.2Nm

## Current carrying capacity

### Current carrying capacity

The current carrying is limited by maximum temperature of materials for inserts and contacts including terminals.

Measuring and testing techniques according to DIN EN 60512-5.



Ordering products

TYPE	NAME	Rated voltage	Rated current	Contacts number	3D upload	2D upload
HSB-006-M	HSB Heavy-Current Inserts Screw terminal 6+PE Male	400V/690V	35A	6+PE	<input type="checkbox"/>	<input type="checkbox"/>
HSB-006-F	HSB Heavy-Current Inserts Screw terminal 6+PE Female	400V/690V	35A	6+PE	<input type="checkbox"/>	<input type="checkbox"/>

Data Download

PRODUCT DIRECTORY	<a href="#">CAZN正成-重载连接器选型手册</a>
CERTIFICATION	<a href="#">EMC认证</a>
ROHS REPORT	<a href="#">查看</a>
WATERPROOF TEST REPORT	<a href="#">查看</a>