

- Combination with hinged frame and other modules possible.
- Number Of Contacts : 1
- Accessories : 200A Crimp contacts、 Manual hydraulic clamp TL05

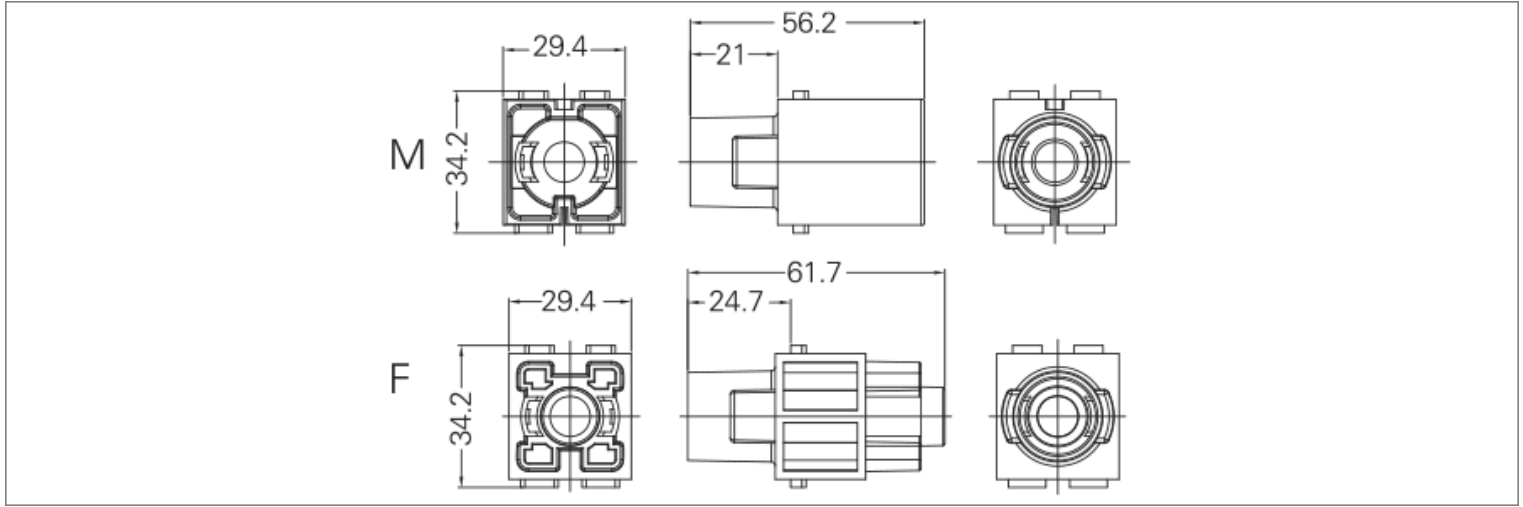
Technical parameters

Specifications :	DIN EN 60 664 / DIN EN 61 984
Number of Contacts :	1
According to EN 61 984 technical parameters	
Rated current :	200A
Rated voltage :	1000V
Rated impulse voltage :	4kV
Pollution degree :	3
Insulation resistance :	$\geq 10^{10}\Omega$
Material :	聚碳酸酯 Polycarbonate
Limiting temperatures :	-40°C ~ +125°C
Flammability Acc. to UL94 :	V0
Mechanical working life-mating cycles :	≥ 500

Contacts

Material :	铜合金 Copper Alloy
Surface :	镀银 Hard-silver Plated / 镀金 Hard-gold Plated
Contact resistance :	$\leq 1m\Omega$
Crimp Terminal	
Wire gauge :	0.14-2.5mm ²
AWG :	26-14
Max.insulation diameter	18mm

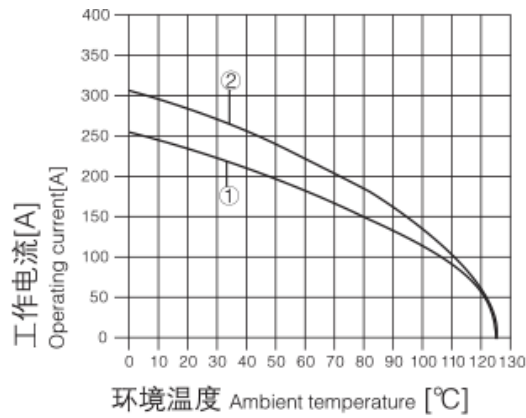
Dimensions



Current carrying capacity

The current carrying is limited by maximum temperature of materials for inserts and contacts including terminals.

Measuring and testing techniques according to DIN EN 60512-5.



① 24B外壳带3个模块，导线截面：50mm²

② 24B外壳带3个模块，导线截面：70mm²

Ordering products

TYPE	NAME	Rated voltage	Rated current	Contacts number	3D upload	2D upload
H2MK-001-MC	H2MK-001 Scrimp Module Crimp Terminal 1pin Male	1000V	200A	1	<input type="checkbox"/>	<input type="checkbox"/>

H2MK-001-FC	H2MK-001 Scrimp Module Crimp Terminal 1pin Female	1000V	20A	1	<input type="checkbox"/>	<input type="checkbox"/>
-------------	------------------------------------------------------------	-------	-----	---	--------------------------	--------------------------

Data Download

PRODUCT DIRECTORY	CAZN正成-重载连接器选型手册
CERTIFICATION	EMC认证
ROHS REPORT	查看
WATERPROOF TEST REPORT	查看