



- Combination with hinged frame and other modules possible.
- Number Of Contacts : 1
- Accessories : 100A Crimp contacts、 Manual hydraulic clamp TL05、 Removal tool TL11

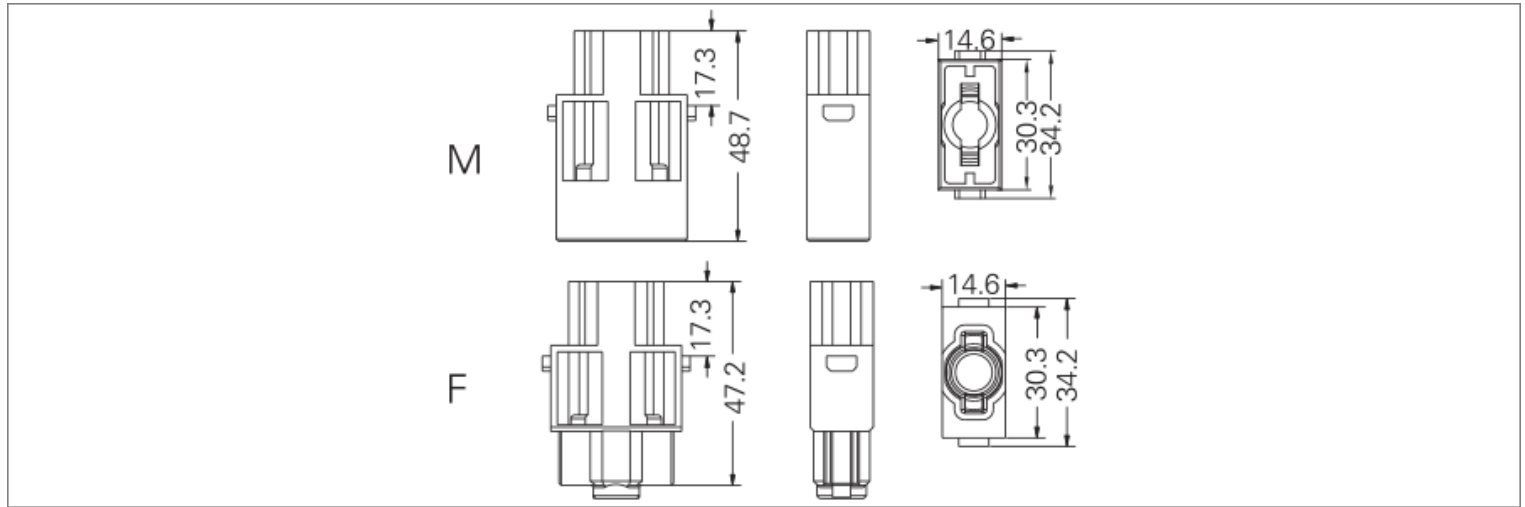
Technical parameters

Specifications :	DIN EN 60 664 / DIN EN 61 984
Number of Contacts :	1
According to EN 61 984 technical parameters	
Rated current :	100A
Rated voltage :	830V
Rated impulse voltage :	8kV
Pollution degree :	3
Insulation resistance :	$\geq 10^{10}\Omega$
Material :	聚碳酸酯 Polycarbonate
Limiting temperatures :	-40°C ~ +125°C
Flammability Acc. to UL94 :	V0
Mechanical working life-mating cycles :	≥ 500

Contacts

Material :	铜合金 Copper Alloy
Surface :	镀银 Hard-silver Plated / 镀金 Hard-gold Plated
Contact resistance :	$\leq 1m\Omega$
Crimp Terminal	
Wire gauge :	10-35mm ²
AWG :	6-2
Max.insulation diameter	13mm

Dimensions



Ordering products

TYPE	NAME	Rated voltage	Rated current	Contacts number	3D upload	2D upload
HMK-001-MC	HMK-001 Scrimp Module Crimp Terminal 1pin Male	830V	100A	1	<input type="checkbox"/>	<input type="checkbox"/>
HMK-001-FC	HMK-001 Scrimp Module Crimp Terminal 1pin Female	830V	100A	1	<input type="checkbox"/>	<input type="checkbox"/>

Data Download

PRODUCT DIRECTORY	CAZN正成-重载连接器选型手册
CERTIFICATION	EMC认证
ROHS REPORT	查看
WATERPROOF TEST REPORT	查看