



- Combination with hinged frame and other modules possible.
- Number Of Contacts : 2
- Accessories : 70A Crimp contacts、 Manual hydraulic clamp TL05

## Technical Parameters

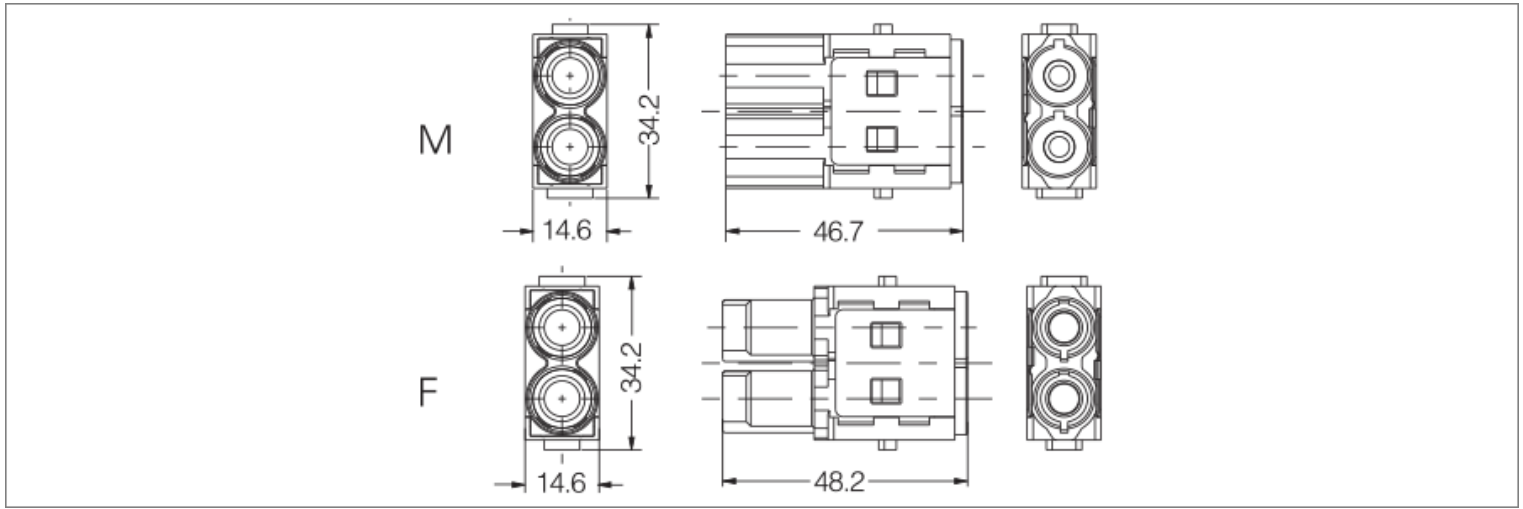
Specification :	DIN EN 60 664 / DIN EN 61 984
Rated current :	70A
Rated voltage :	1000V
Rated pulse voltage :	8kV
Degree of pollution :	3
Number of contacts:	2
Rated voltage according to UL/CSA :	600V
Insulation resistance :	$\geq 10^{10}\Omega$
Material :	聚碳酸酯 Polycarbonate
Operating temperature :	-40°C~+125°C
Flame retardant grade :	V0
Unpluggable time :	$\geq 500$

## Contacts

Material :	铜合金 Copper Alloy
Surface :	镀银 Hard-silver Plated
Contact resistance :	$\leq 0.5m\Omega$
Crimp connection	
Wire specification :	10-35mm <sup>2</sup>
Stripping length :	15.5mm <sup>2</sup>

Max.insulation diameter :	14mm
---------------------------	------

## Dimensions



## Ordering products

TYPE	NAME	Rated voltage	Rated current	Contacts number	3D upload	2D upload
HMK70-002-MC	<b>HMK70-002 Scrimp Module Scrimp Terminal 2pins Male</b>	<b>1000V</b>	<b>70A</b>	<b>2</b>	<input type="checkbox"/>	<input type="checkbox"/>
HMK70-002-FC	<b>HMK70-002 Scrimp Module Scrimp Terminal 2pins Female</b>	<b>1000V</b>	<b>70A</b>	<b>2</b>	<input type="checkbox"/>	<input type="checkbox"/>

## Data Download

PRODUCT DIRECTORY	<a href="#">CAZN正成-重载连接器选型手册</a>
CERTIFICATION	<a href="#">EMC认证</a>
ROHS REPORT	<a href="#">查看</a>
WATERPROOF TEST REPORT	<a href="#">查看</a>