



## Technical parameters

Specifications :	DIN EN 60 664 / DIN EN 61 984
Number of Contacts :	5+PE
According to EN 61 984 technical parameters	
Rated current :	16A
Rated voltage conductor-ground :	230V
Rated voltage conductor-conductor :	400V
Rated impulse voltage :	4kV
Pollution degree :	3
Pollution degree 2 also :	16A 320/500V 4kV 2
Rated Voltage Acc. to UL/CSA :	600V
Insulation resistance :	$\geq 10^{10}\Omega$
Material :	聚碳酸酯 Polycarbonate
Limiting temperatures :	-40°C ~ +125°C
Flammability Acc. to UL94 :	V0
Mechanical working life-mating cycles :	$\geq 500$

## Contacts

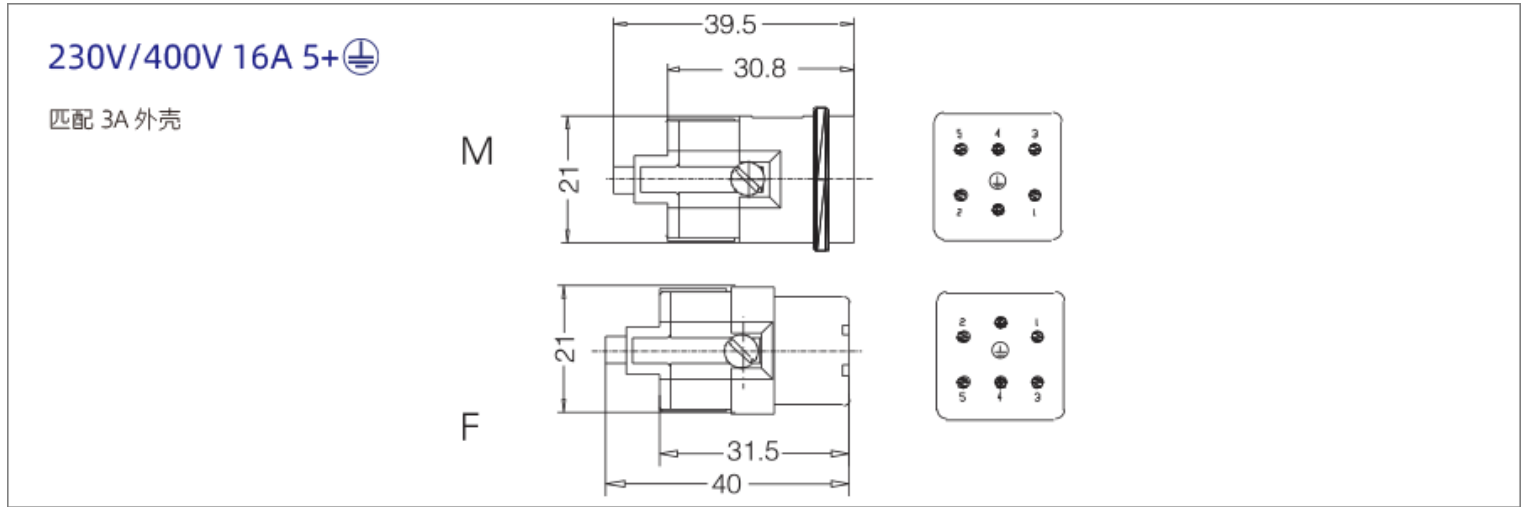
Material :	铜合金 Copper Alloy
Surface :	镀银 Hard-silver Plated / 镀金 Hard-gold Plated
Contact resistance :	$\leq 1m\Omega$
Crimp Terminal	
Wire gauge :	0.14-2.5mm <sup>2</sup>

AWG :	26-14
PE Screw terminal	
Wire Gauge :	2.5mm <sup>2</sup>
AWG :	14

### Shell

Plastic shell	
Material :	聚碳酸酯 Polycarbonate
Flammability Acc. to UL94 :	V0
Degree of protection Acc.to DIN :	
EN60 529 for coupled connector :	IP67
Metal shell	
Material :	锌合金 Zinc Die-Cast
Degree of protection Acc.to DIN :	IP44
EEN60 529 for coupled connector :	IP67(实现螺栓密封) is achieved with seal screw

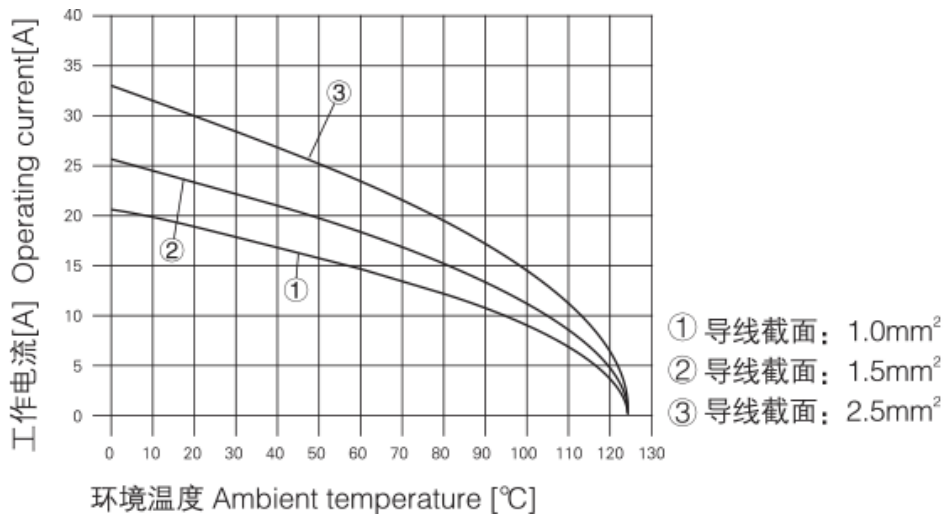
## Dimensions



## Current carrying capacity

The current carrying is limited by maximum temperature of materials for inserts and contacts including terminals.

Measuring and testing techniques according to DIN EN 60512-5.



## Ordering products

TYPE	NAME	Rated voltage	Rated current	Contacts number	3D upload	2D upload
HQ-005/0-MC	<b>HQ-005/0 Compact Series Crimp terminal 5+PE Male</b>	<b>230V/400V</b>	<b>10A</b>	<b>5+PE</b>	<input type="checkbox"/>	<input type="checkbox"/>

HQ-005/0--FC	<b>HQ-005/0 Compact Series Crimp terminal 5+PE Female</b>	<b>230V/400V</b>	<b>10A</b>	<b>5+PE</b>		
--------------	---	------------------	------------	-------------	---	---

Wire gauge: 0.14-0.37mm<sup>2</sup>please select TL02 Crimping tool

## Data Download

PRODUCT DIRECTORY	<a href="#">CAZN正成-重载连接器选型手册</a>
CERTIFICATION	<a href="#">EMC认证</a>
ROHS REPORT	<a href="#">查看</a>
WATERPROOF TEST REPORT	<a href="#">查看</a>