

10A Metal Hoods & Housings - Hoods, side entry, high construction

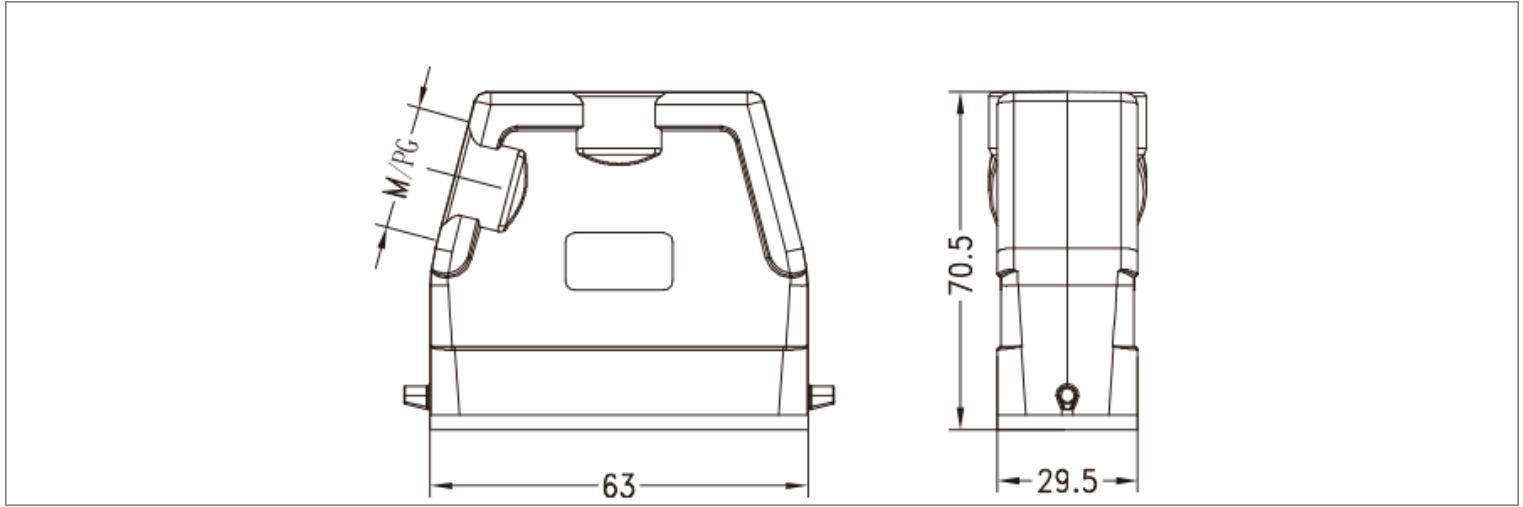


Technical parameters

Size B Metal shell IP65	
Material :	铸锌 Zinc Die-Cast
Color :	灰 Grey
Locking Element	
Lever type :	金属弹性压合 Lever
Material :	金属(铁)镀锌 Metal Galvanized / Nickel Plating
Hoods & Housing seal :	NBR
Limiting temperatures :	-40°C ~ +125°C
Flammability Acc.to UL94 :	V0
Degree of production Acc. (To DIN EN 60 529 for Coupled connector) :	IP65

[10A Metal Hoods & Housings - Hoods, side entry, high construction](#)

Dimensions



Ordering products

Type	Description	Thread	Class of protection	3Ddownload	2Ddownload
H10A-SEH-2B-M25	10A metal shell - Upper shell side outlet high structure	M25	IP65	↓	↓
H10A-SEH-2B-PG16	10A metal shell - Upper shell side outlet high structure	PG16	IP65	↓	↓
H10A-SEH-2B-PG21	10A metal shell - Upper shell side outlet high structure	PG21	IP65	↓	↓