

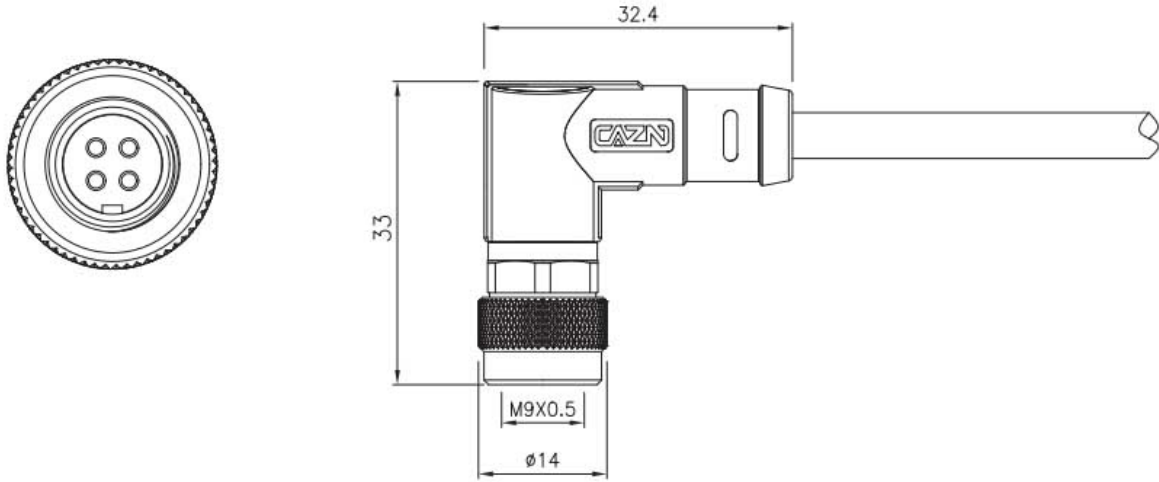


- European standard connector M9 series
- Structure type: Angled Overmolded Plug
- Pin type: Female
- Contacts number: 2, 3, 4, 5, 6, 7, 8 pins
- Connection method: Solder
- Shield: Shhielded/Unshielded
- Certification: CE,ROHS,UL ,

MECHANICAL PARAMETERS

Shell material :	Brass nickel-plated/Zinc alloy nickel-plated
Insulator material :	PA66
Sealing material :	Epoxy resin/Rubber
Contact material :	Brass/Phosphorus copper gold-plated
Molding material :	TPU/PVC
Insulation impedance :	$\geq 100 \text{ M}\Omega$
Contact impedance :	$\leq 3 \text{ m}\Omega$
Wiring range :	3.0~5.0mm
Applicable temperature :	-25°C ~ +80°C
Waterproof grade :	IP65/IP67

DATASHEET



M9 WIRE DEFINITION

芯数 Pins	线芯颜色 Wire core color
2芯(Pins)	
1	BN
2	BU

芯数 Pins	线芯颜色 Wire core color
3芯(Pins)	
1	BN
2	BU
3	BK

芯数 Pins	线芯颜色 Wire core color
4芯(Pins)	
1	BN
2	WH
3	BU
4	BK

芯数 Pins	线芯颜色 Wire core color
5芯(Pins)	
1	BN
2	WH
3	BU
4	BK
5	GY

芯数 Pins	线芯颜色 Wire core color
6芯(Pins)	
1	BN
2	WH
3	BU
4	BK
5	GY
6	PK

芯数 Pins	线芯颜色 Wire core color
7芯(Pins)	
1	WH
2	BN
3	GN
4	YE
5	GY
6	PK
7	BU

芯数 Pins	线芯颜色 Wire core color
8芯(Pins)	
1	WH
2	BN
3	GN
4	YE
5	GY
6	PK
7	BU
8	RD

*接线定义按常规标准，
如按协议或者其他请联系我司业务。
Wiring definition according to conventional standards,
if according to the agreement or other please contact our sales.

M9 ELECTRICAL PARAMETERS

芯数 Pins	针型 Male	额定电流 Rated current	额定电压 Rated voltage		导体规格 Conductor size		孔型 Female
			A/C	D/C	AWG	mm ²	
2		4A	125V	125V	24	0.25	
3		4A	125V	125V	24	0.25	
4		3A	125V	125V	24	0.25	
5		3A	125V	125V	24	0.25	
6		1A	125V	125V	26	0.14	
7		1A	125V	125V	26	0.14	
8		1A	125V	125V	26	0.14	

Ordering products

Product Name	Part No.-Shielded	Part No.-Unshielded	Pins	3D Download	2D Download
M9 Angled Female Overmolded Plug-2Pin-xxMeters-PVC jacket	M9-S2-MWD-xxPV-S	M9-S2-MWD-xxPV	2		
M9 Angled Female Overmolded Plug-3Pin-xxMeters-PVC jacket	M9-S3-MWD-xxPV-S	M9-S3-MWD-xxPV	3		
M9 Angled Female Overmolded Plug-4Pin-xxMeters-PVC jacket	M9-S4-MWD-xxPV-S	M9-S4-MWD-xxPV	4		
M9 Angled Female Overmolded Plug-5Pin-xxMeters-PVC jacket	M9-S5-MWD-xxPV-S	M9-S5-MWD-xxPV	5		
M9 Angled Female Overmolded Plug-6Pin-xxMeters-PVC jacket	M9-S6-MWD-xxPV-S	M9-S6-MWD-xxPV	6		
M9 Angled Female Overmolded Plug-7Pin-xxMeters-PVC jacket	M9-S7-MWD-xxPV-S	M9-S7-MWD-xxPV	7		

[M9 Angled Female Overmolded Plug](#)

M9 Angled Female Overmolded Plug-8Pin-xxMeters-PVC jacket	M9-S8-MWD-xxPV-S	M9-S8-MWD-xxPV	8		
---	------------------	----------------	---	--	--

*If needing other cable materials please contact our sales.

Data Download

Product Catalog	CAZN-M Series products brochure
EMC Certification	View
RoHS Report	View
European Standard Series-EMC Certificate	View