

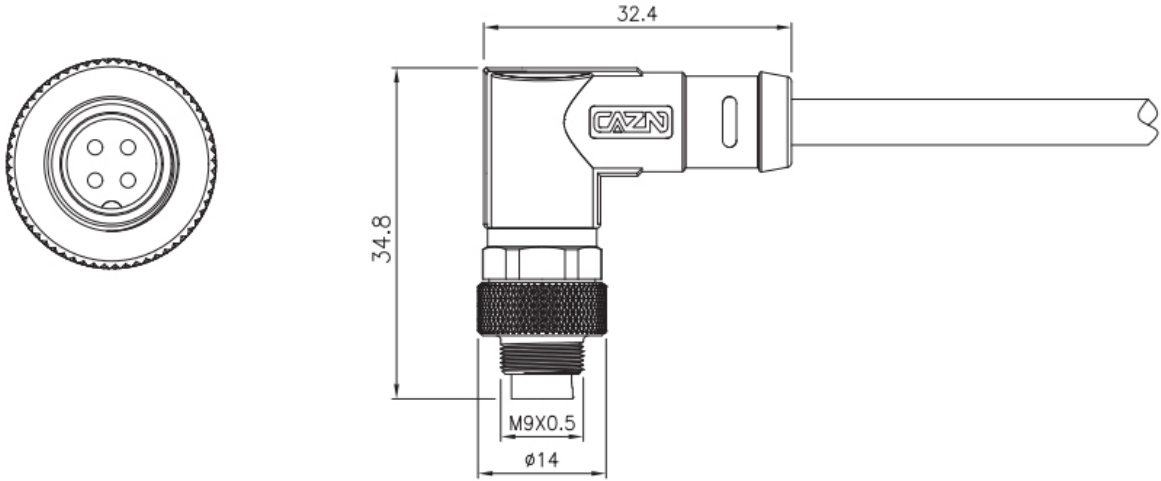


- European standard connector M9 series
- Structure type: Angled Overmolded Plug
- Pin type: Male
- Contacts number: 2, 3, 4, 5, 6, 7, 8 pins
- Connection method: Solder
- Shield: Shhielded/Unshielded
- Certification: CE,ROHS,UL ,

## MECHANICAL PARAMETERS

Shell material :	Brass nickel-plated/Zinc alloy nickel-plated
Insulator material :	PA66
Sealing material :	Epoxy resin/Rubber
Contact material :	Brass/Phosphorus copper gold-plated
Molding material :	TPU/PVC
Insulation impedance :	$\geq 100 \text{ M}\Omega$
Contact impedance :	$\leq 3 \text{ m}\Omega$
Wiring range :	3.0~5.0mm
Applicable temperature :	-25°C ~ +80°C
Waterproof grade :	IP65/IP67

## DATASHEET



## M9 WIRE DEFINITION

芯数 Pins	线芯颜色 Wire core color
2芯(Pins)	
1	BN
2	BU

芯数 Pins	线芯颜色 Wire core color
3芯(Pins)	
1	BN
2	BU
3	BK

芯数 Pins	线芯颜色 Wire core color
4芯(Pins)	
1	BN
2	WH
3	BU
4	BK

芯数 Pins	线芯颜色 Wire core color
5芯(Pins)	
1	BN
2	WH
3	BU
4	BK
5	GY

芯数 Pins	线芯颜色 Wire core color
6芯(Pins)	
1	BN
2	WH
3	BU
4	BK
5	GY
6	PK

芯数 Pins	线芯颜色 Wire core color
7芯(Pins)	
1	WH
2	BN
3	GN
4	YE
5	GY
6	PK
7	BU

芯数 Pins	线芯颜色 Wire core color
8芯(Pins)	
1	WH
2	BN
3	GN
4	YE
5	GY
6	PK
7	BU
8	RD

\*接线定义按常规标准，  
如按协议或者其他请联系我司业务。  
Wiring definition according to conventional standards,  
if according to the agreement or other please contact our sales.

## M9 ELECTRICAL PARAMETERS

芯数 Pins	针型 Male	额定电流 Rated current	额定电压 Rated voltage		导体规格 Conductor size		孔型 Female
			A/C	D/C	AWG	mm <sup>2</sup>	
2		4A	125V	125V	24	0.25	
3		4A	125V	125V	24	0.25	
4		3A	125V	125V	24	0.25	
5		3A	125V	125V	24	0.25	
6		1A	125V	125V	26	0.14	
7		1A	125V	125V	26	0.14	
8		1A	125V	125V	26	0.14	

## Ordering products

Product Name	Part No.-Shielded	Part No.-Unshielded	Pins	3D Download	2D Download
M9 Angled Male Overmolded Plug-2Pin-xxMeters-PVC jacket	M9-P2-MWD-xxPV-S	M9-P2-MWD-xxPV	2		
M9 Angled Male Overmolded Plug-3Pin-xxMeters-PVC jacket	M9-P3-MWD-xxPV-S	M9-P3-MWD-xxPV	3		
M9 Angled Male Overmolded Plug-4Pin-xxMeters-PVC jacket	M9-P4-MWD-xxPV-S	M9-P4-MWD-xxPV	4		
M9 Angled Male Overmolded Plug-5Pin-xxMeters-PVC jacket	M9-P5-MWD-xxPV-S	M9-P5-MWD-xxPV	5		
M9 Angled Male Overmolded Plug-6Pin-xxMeters-PVC jacket	M9-P6-MWD-xxPV-S	M9-P6-MWD-xxPV	6		
M9 Angled Male Overmolded Plug-7Pin-xxMeters-PVC jacket	M9-P7-MWD-xxPV-S	M9-P7-MWD-xxPV	7		

## [M9 Angled Male Overmolded Plug](#)



M9 Angled Male Overmolded Plug-8Pin-xxMeters-PVC jacket	M9-P8-MWD-xxPV-S	M9-P8-MWD-xxPV	8		
---------------------------------------------------------	------------------	----------------	---	--	--

\*If needing other cable materials please contact our sales.

## Data Download

Product Catalog	<a href="#">CAZN-M Series products brochure</a>
EMC Certification	<a href="#">View</a>
RoHS Report	<a href="#">View</a>
European Standard Series-EMC Certificate	<a href="#">View</a>