

16A Crimp contacts (with crown contact)

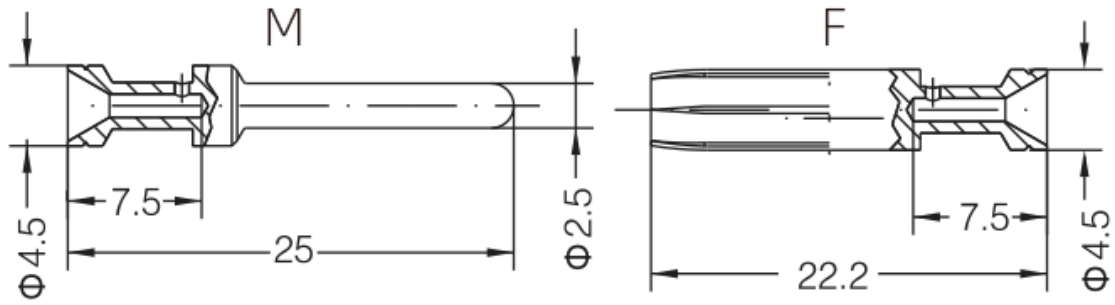


- for HA,HE,HEE,HM,HK inserts
- Contact resistance : $\leq 1\text{m}\Omega$

Technical parameters

Specification :	DIN EN 60 664 / DIN EN 61 984
Rated current :	16A
Rated voltage :	500V
Rated pulse voltage :	6kV
Degree of pollution :	3
Parameters at pollution level :	16A 400/690V 6kV 2
Rated voltage Acc.to UL/CSA :	600V
Rated current Acc.to CSA winding connection :	2A 30V
Insulation resistance :	$\geq 10^{10}\Omega$
Material :	聚碳酸酯 Polycarbonate
Operating temperature :	-40°C~ +125°C
Flame retardant grade :	V0
Unpluggable times :	≥ 500
Pin material :	铜合金 Copper Alloy
Surface treatment :	镀金 Hard-gold Plated / 镀银 Hard-silver Plated
Contact resistance :	$\leq 1\text{m}\Omega$

Dimension



标示	线规		剥线长度
no groove	0.14-0.37mm ²	AWG 26-22	7.5mm
no groove	0.5mm ²	AWG 20	7.5mm
1 groove	0.75mm ²	AWG 18	7.5mm
1 groove	1.0mm ²	AWG 18	7.5mm
2 groove	1.5mm ²	AWG 16	7.5mm
3 groove	2.5mm ²	AWG 14	7.5mm
wide groove	3mm ²	AWG 12	7.5mm
no groove	4mm ²	AWG 12	7.5mm

Connection method

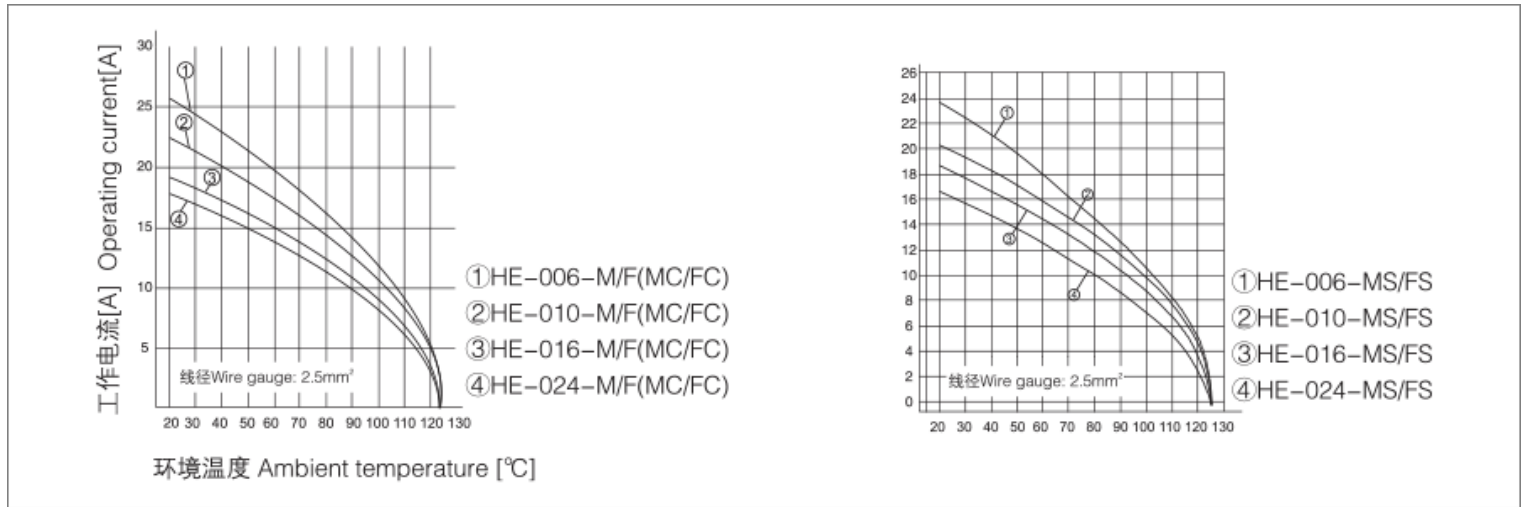
螺钉连接	
导线规格	0.14-2.5mm ²
AWG	26-14
拧紧力矩	0.5Nm
剥线长度	7.0mm

冷压连接	
导线规格	0.14-4.0mm ²
AWG	26-12
剥线长度	7.5mm

弹片连接	
导线规格	0.14-2.5mm ²
AWG	26-14
剥线长度	7-9mm

Current carrying capacity

16A Crimp contacts (with crown contact)



Ordering products

Description	Model-Male	Model-Female	Wire Gauge-mm ²	Wire Gauge-AWG	3D Download	2D Download
16A Crimp contacts -Silver-0.37	MCS16-0.37	FCS16-0.37	0.14-0.37	26-22		
16A Crimp contacts -Silver-0.5	MCS16-0.5	FCS16-0.5	0.5	20		
16A Crimp contacts -Silver-0.75	MCS16-0.75	FCS16-0.75	0.75	18		
16A Crimp contacts -Silver-1.0	MCS16-1.0	FCS16-1.0	1.0	18		
16A Crimp contacts -Silver-1.5	MCS16-1.5	FCS16-1.5	1.5	16		
16A Crimp contacts -Silver-2.5	MCS16-2.5	FCS16-2.5	2.5	14		
16A Crimp contacts -Silver-3.0	MCS16-3.0	FCS16-3.0	3.0	12		
16A Crimp contacts -Silver-4.0	MCS16-4.0	FCS16-4.0	4.0	12		
16A Crimp contacts-Gilded-0.37	MCG16-0.37	FCG16-0.37	0.14-0.37	26-22		
16A Crimp contacts-Gilded0.5	MCG16-0.5	FCG16-0.5	0.5	20		
16A Crimp contacts-Gilded-0.75	MCG16-0.75	FCG16-0.75	0.75	18		

16A Crimp contacts (with crown contact)

16A Crimp contacts-Gilded-1.0	MCG16-1.0	FCG16-1.0	1.0	18		
16A Crimp contacts-Gilded-1.5	MCG16-1.5	FCG16-1.5	1.5	16		
16A Crimp contacts-Gilded-2.5	MCG16-2.5	FCG16-2.5	2.5	14		
16A Crimp contacts-Gilded-4.0	MCG16-4.0	FCG16-4.0	4.0	12		