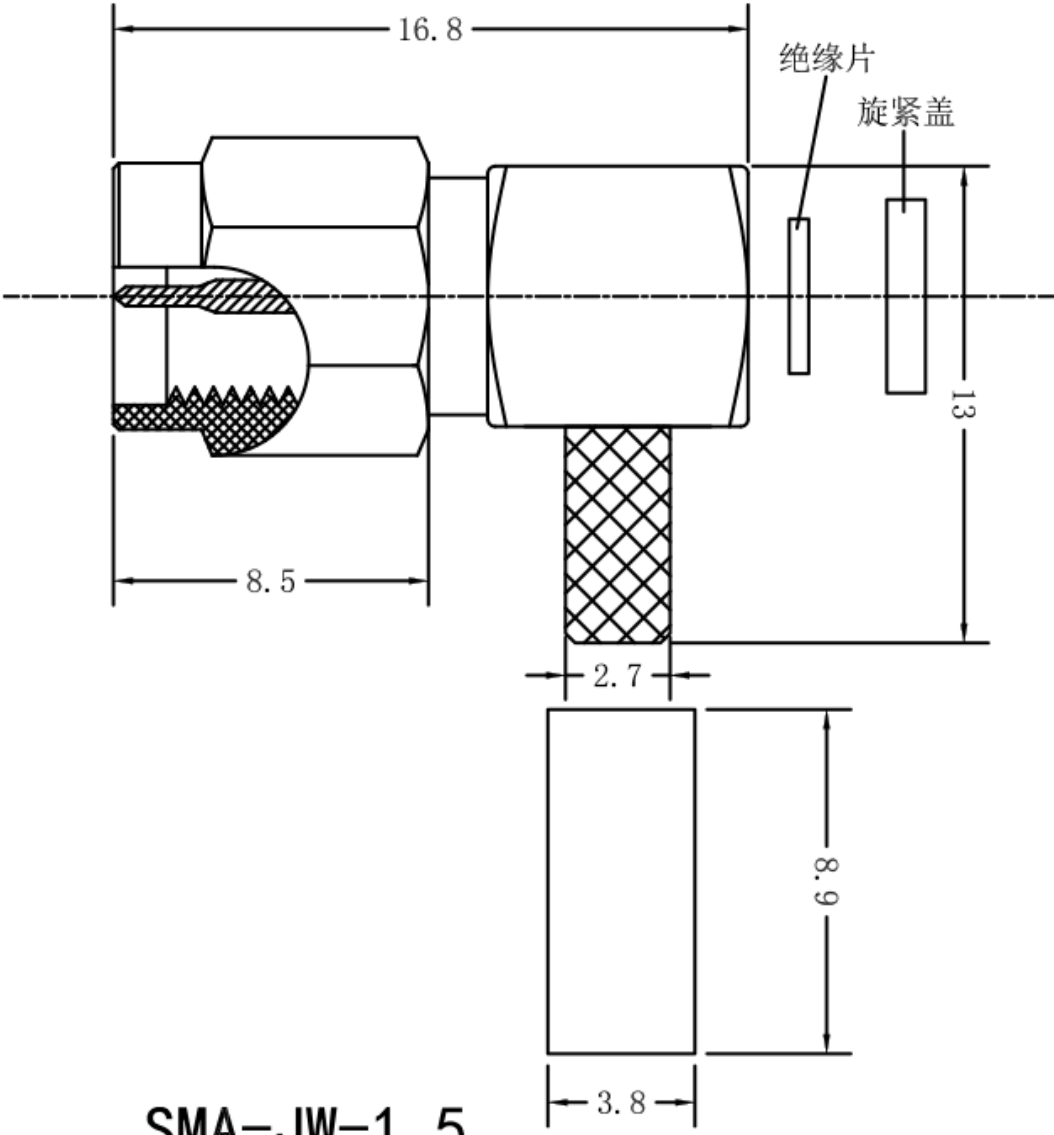




- Model: SMA-JW-1.5-Nickel
- Frequency: DC0~6GHz
- Applicable Cable: RG316 RG174 LMR100
- Application: Products are widely used in base stations, antennas, telecommunications, meters, PC/LAN, IOT, smart home, automation equipment and other fields.

Connector Type :	SMA-JW-1.5-Nickel Male Plug(Crimp)
Impedance :	50 Ohms
Polarity :	Standard
Connector Coupling :	Threaded
Termination Way :	Solder
Orientation :	Right Angle
Material :	Nickel-plated copper
Contact Material :	Gold-plated copper
Insulation :	PTFE
Frequency Range :	DC0 ~ 6Ghz
Insertion Loss :	0.15dB
VSWR :	≤1.25@6GHz
Operating Temperature Range :	-40°C ~ +165°C
2022/95/EC(RoHS) :	Conform



SMA-JW-1.5