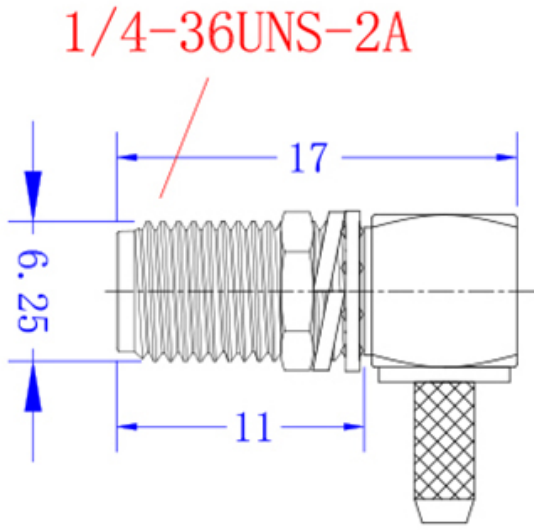


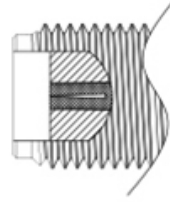


- Model: SMA-KW-1.5
- Frequency: DC0~6Ghz
- Salt Spray: 48H (customized for special needs)
- Application: Products are widely used in base stations, antennas, telecommunications, meters, PC/LAN, IOT, smart home, automation equipment and other fields.

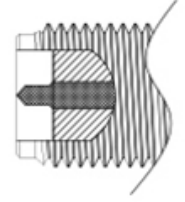
Connector Type :	SMA-KW-1.5
Impedance :	50 Ohms
Polarity :	Standard
Termination Way :	Solder
Applicable Cable :	RG178、RG316、RF1.13、RG174、LMR100...
Orientation :	Right Angle
Frequency Range :	DC0~6Ghz
Insertion Loss :	0.15dB
VSWR :	≤1.3@6GHz
Material :	Gold-plated copper
Insulation :	PTFE
Operating Temperature Range :	-40°C ~ +165°C
2022/95/EC(RoHS) :	Conform



SMA-KW-1.5



正极特写



反极特写